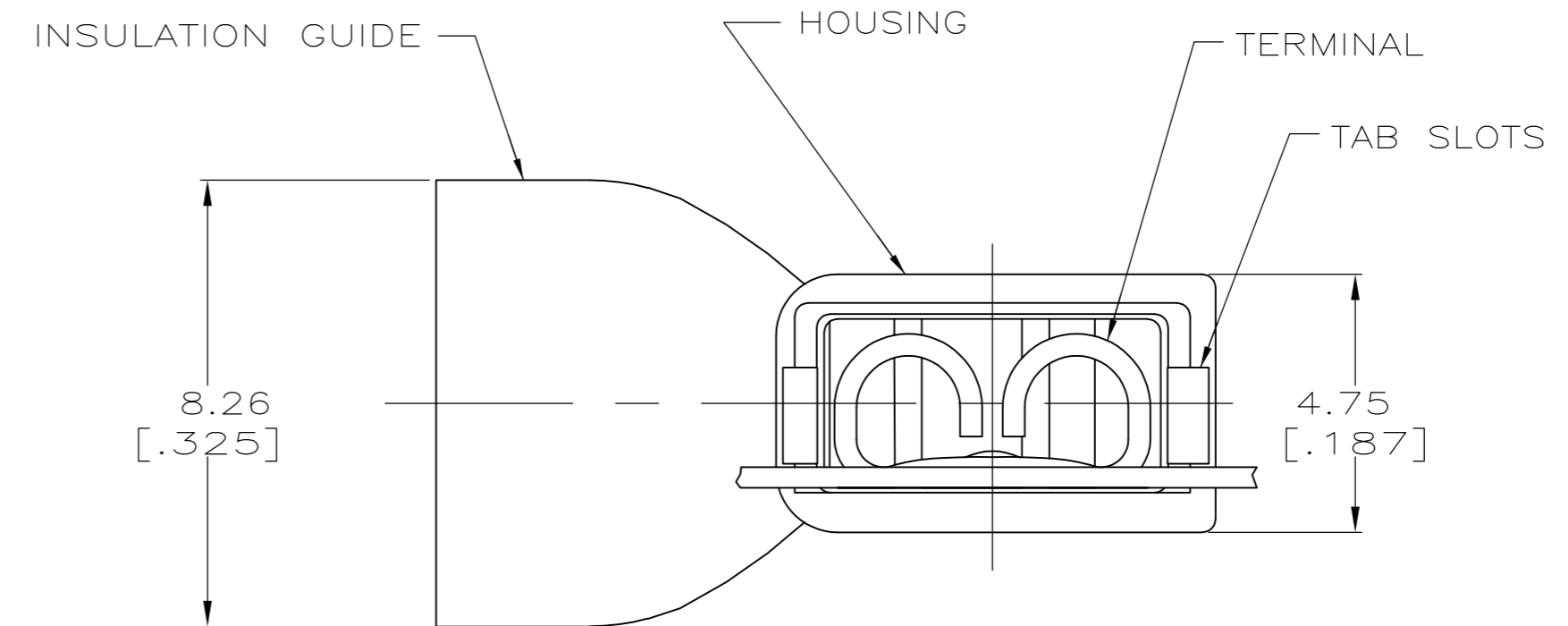
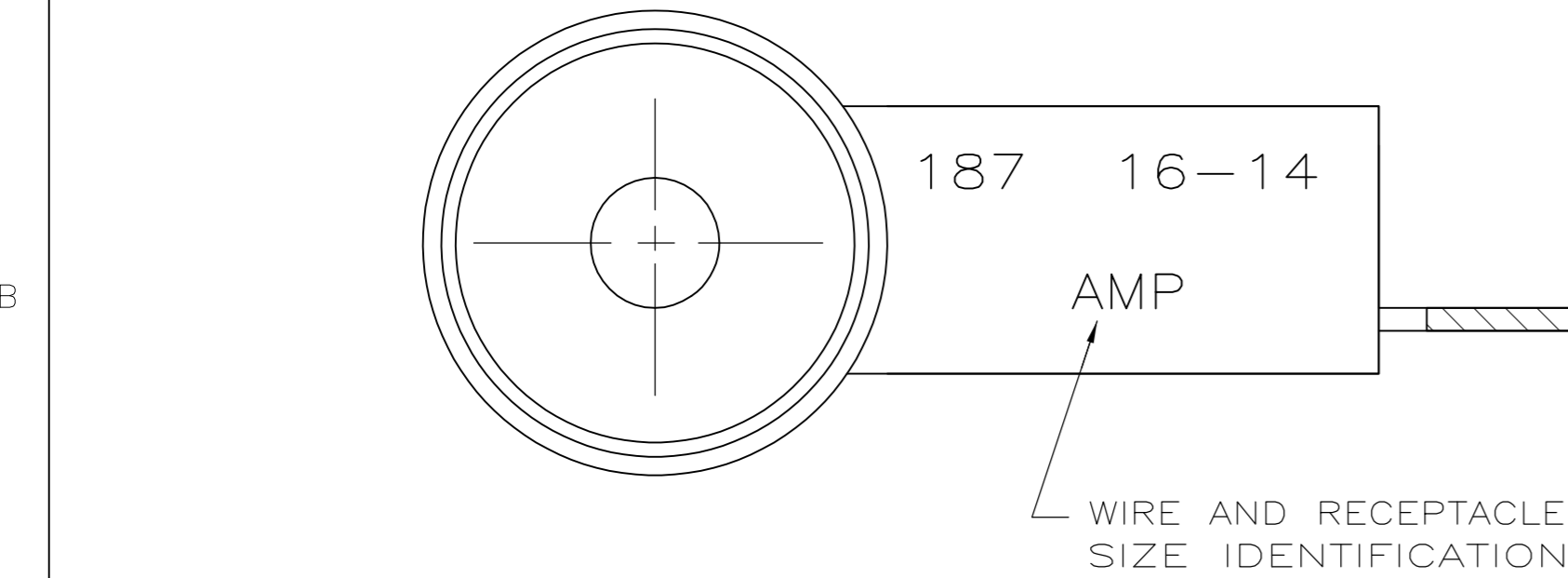
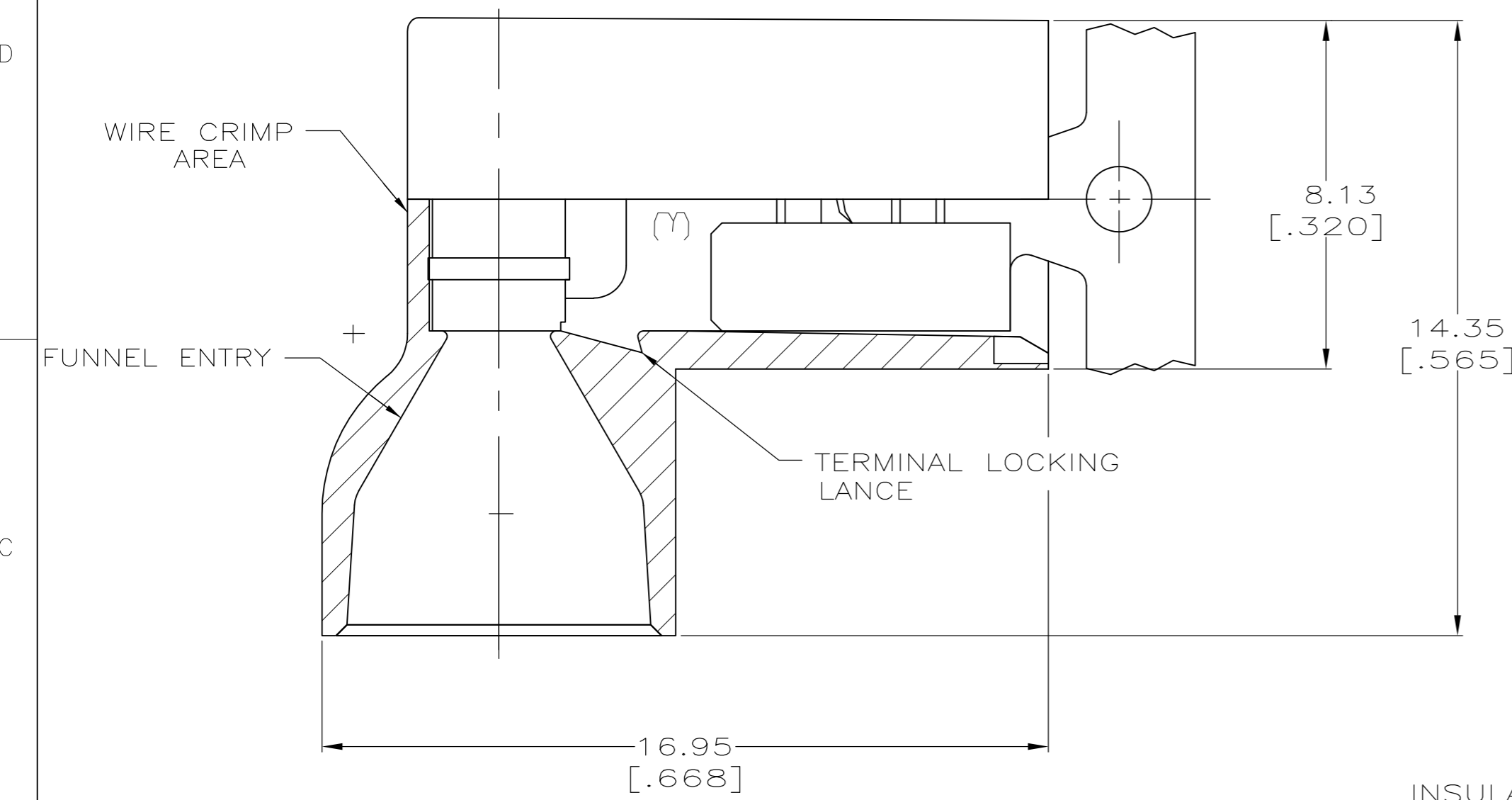


THIS DRAWING IS UNPUBLISHED. RELEASED FOR PUBLICATION
 © COPYRIGHT - By - ALL RIGHTS RESERVED.

LOC	DIST	REVISIONS					
AF	50	P	LTR	DESCRIPTION	DATE	DWN	APVD
		D		REVISED PER ECR-12-005303	24JUL12	KH	KR

- 1 FITS 0.81±0.025 X 4.75 [.032±.001 X .187] TAB
- 2 WIRE SIZE: 1.3-2.0mm² [16-14 AWG], STRANDED ONLY.
ONE WIRE STRIP LENGTH 7.94 [.312]
TWO WIRE STRIP LENGTH 8.51 [.335]
- 3 INSULATION SIZE: 6.60 [.260] MAX DIA.
- 4 CONTINUOUS STRIP.
- △ PRELIMINARY - NOT FOR PRODUCTION



TYPE 6/6 NYLON	BLACK	0.41 [.016] #4H BRASS	TIN PLATE	△ 9-521247-2
TYPE 6/6 NYLON	BLUE TRANSLUCENT	0.41 [.016] #4H BRASS	TIN PLATE	3-521247-2
MATERIAL	COLOR	MATERIAL	FINISH	PART NUMBER
HOUSING		TERMINAL		
THIS DRAWING IS A CONTROLLED DOCUMENT.		DWN 16DEC99 JR RUTH		
DIMENSIONS: mm [INCHES]		CHK 16DEC99 MS FEHER		
TOLERANCES UNLESS OTHERWISE SPECIFIED:		APVD 16DEC99 J HUMMEL		
0 PLC ± - 1 PLC ± - 2 PLC ± 0.25 [.010] 3 PLC ± - 4 PLC ± - ANGLES ± -		PRODUCT SPEC 108-2043		
MATERIAL SEE TABLE	FINISH SEE TABLE	APPLICATION SPEC 114-2123	NAME RECEPTACLE, ASSEMBLY, FLAG, ULTRA-FAST, .187 SERIES	RESTRICTED TO -
CUSTOMER DRAWING		WEIGHT -	SIZE A2	CAGE CODE 00779
		SCALE 8:1	DRAWING NO C=521247	SHEET 1 OF 1
			REV D	