

MODEL:

PDUMNV20HV

Monitored Rackmount PDU



**High Voltage
Input/Output**



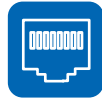
24 Outlets



**20A Max
Capacity**



Load Meter



**Network
Interface**



0U Rackmount

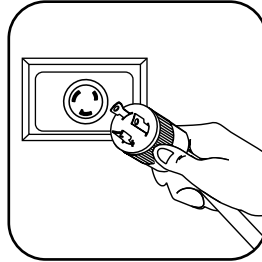


**Toolless
Mounting
Buttons**



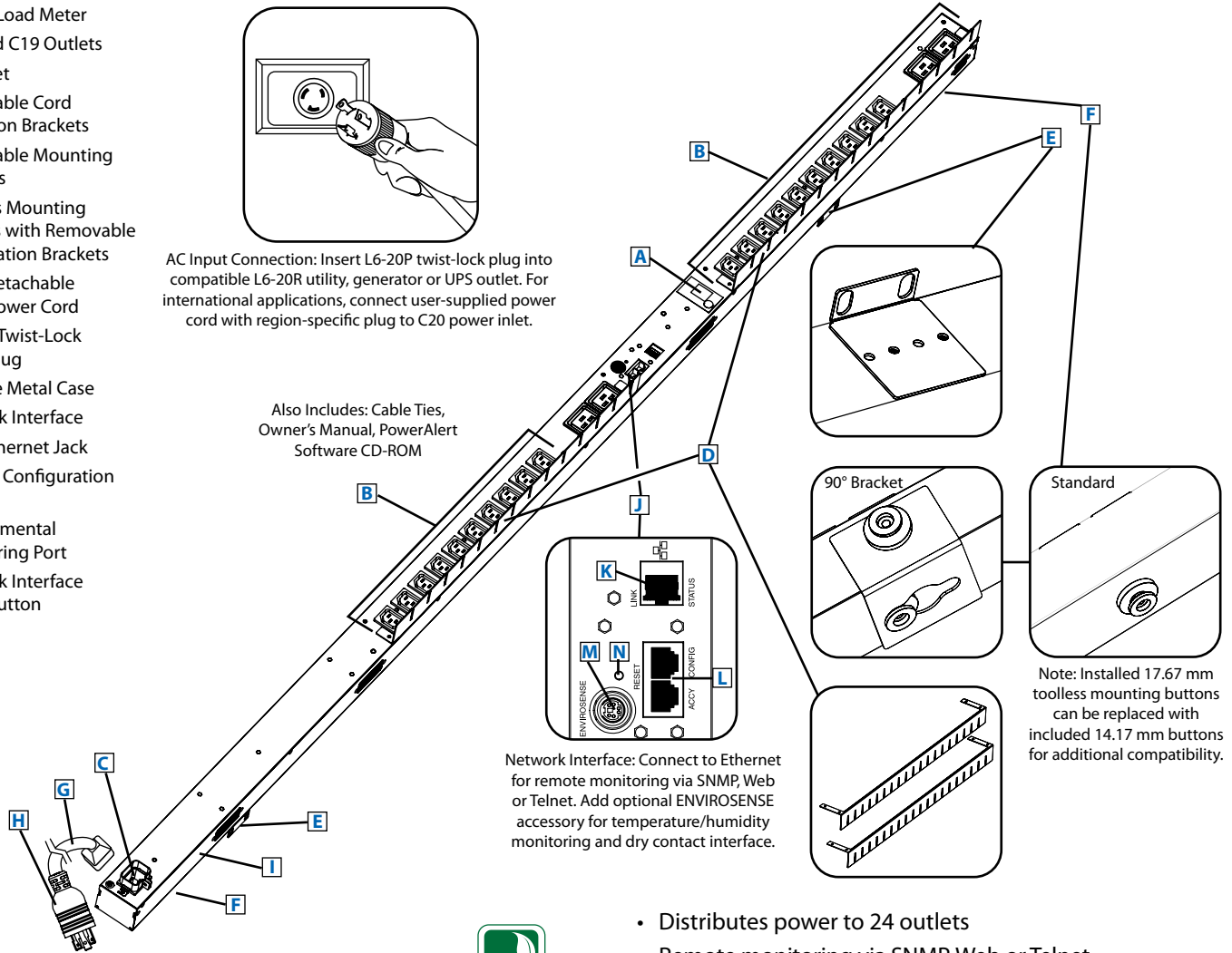
**AC Inlet
Supports
International Plugs**

- A** Digital Load Meter
- B** C13 and C19 Outlets
- C** C20 Inlet
- D** Removable Cord Retention Brackets
- E** Removable Mounting Brackets
- F** Toolless Mounting Buttons with Removable 90° Rotation Brackets
- G** 10 ft. Detachable Input Power Cord
- H** L6-20P Twist-Lock Input Plug
- I** Durable Metal Case
- J** Network Interface
- K** RJ45 Ethernet Jack
- L** Manual Configuration Port
- M** Environmental Monitoring Port
- N** Network Interface Reset Button



AC Input Connection: Insert L6-20P twist-lock plug into compatible L6-20R utility, generator or UPS outlet. For international applications, connect user-supplied power cord with region-specific plug to C20 power inlet.

Also Includes: Cable Ties,
Owner's Manual, PowerAlert
Software CD-ROM



Network Interface: Connect to Ethernet for remote monitoring via SNMP, Web or Telnet. Add optional ENVIROSENSE accessory for temperature/humidity monitoring and dry contact interface.

Note: Installed 17.67 mm toolless mounting buttons can be replaced with included 14.17 mm buttons for additional compatibility.

Specifications

Model	PDUMNV20HV
Voltage	200-250V
Frequency	50/60Hz
Maximum Capacity	20A
Agency-De-rated Capacity	16A
Input Connector	L6-20P (C20 inlet)
Cord Length	10 ft.
Outlets	24 (20 C13 / 4 C19)
Primary Mounting Option	0U (Vertical) Rackmount
Unit Weight & Dimensions	8.5 lb / 2.65 x 70 x 2.19 in <i>See next page for detailed unit measurements.</i>
Certifications	Tested to UL 60950-1 (US & Canada), CE, NOM (Mexico), FCC & CE Class A (Emissions)

Tripp Lite has a policy of continuous improvement. Specifications are subject to change without notice.

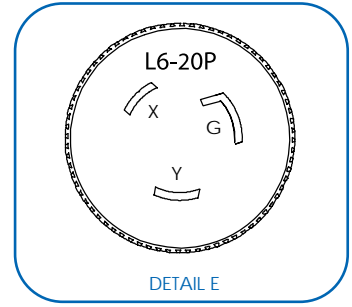
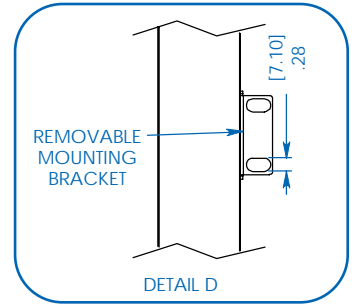
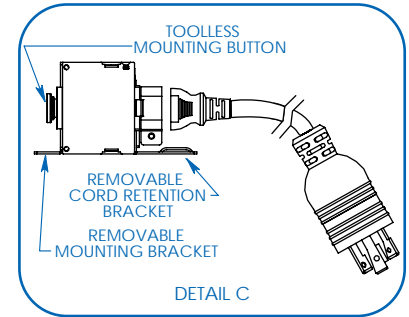
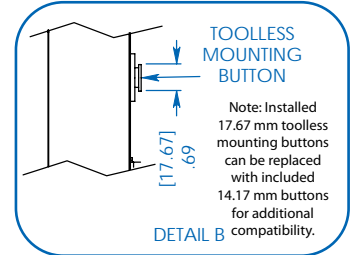
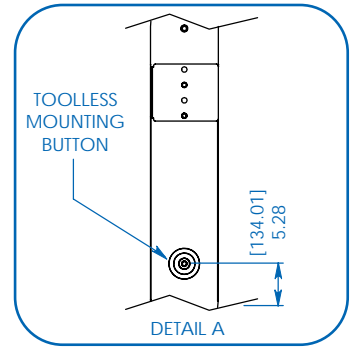
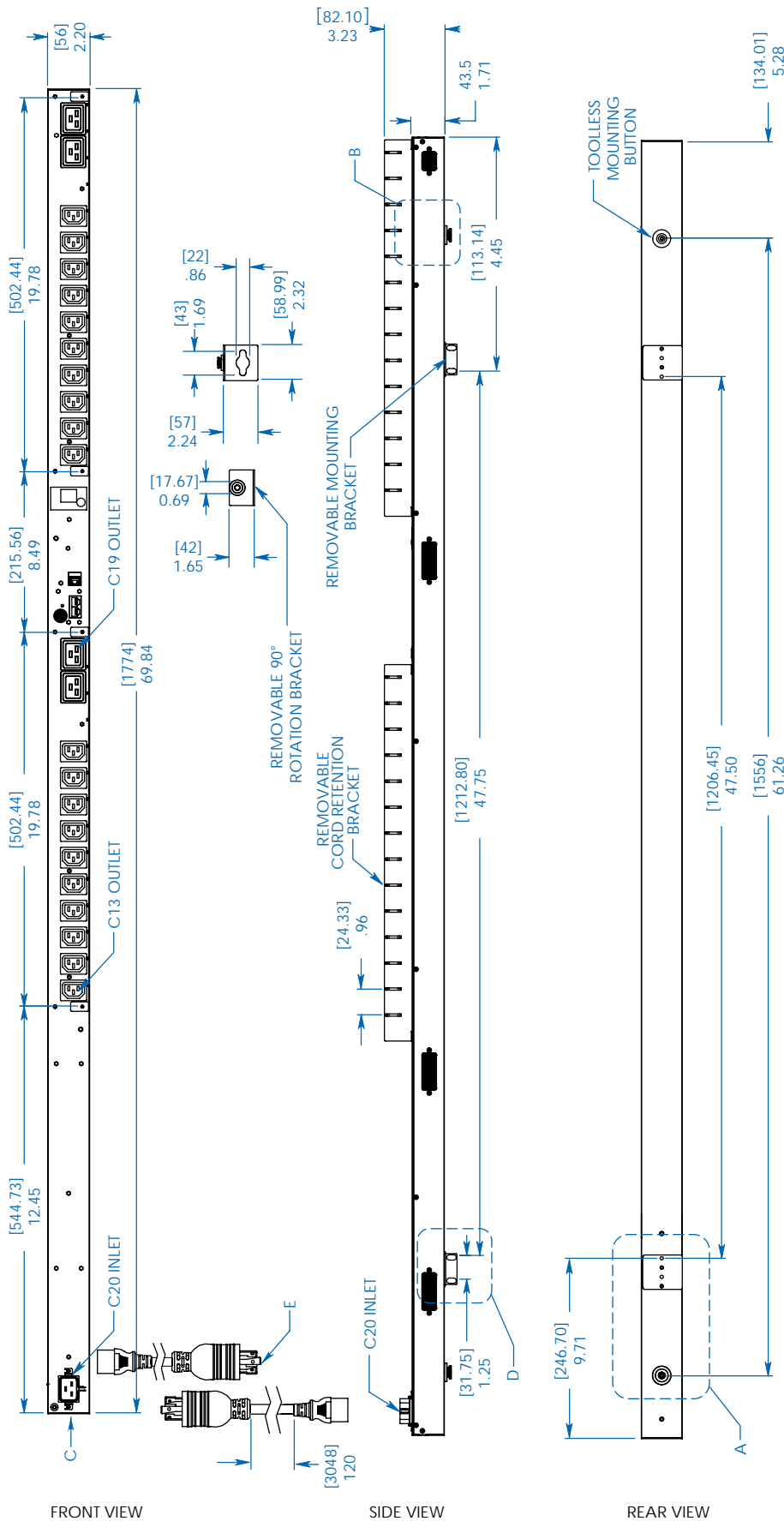


- Distributes power to 24 outlets
- Remote monitoring via SNMP, Web or Telnet
- Displays total load in real time
- Perfect for rackmount server, network and telecom applications

SEE NEXT PAGE FOR DETAILED UNIT MEASUREMENTS



1111 W. 35th Street
Chicago, IL 60609 USA
773.869.1234
www.tripplite.com



MODEL:
PDUMNV20HV

TRIPP-LITE

1111 W. 35th Street
 Chicago, IL 60609 USA
 773.869.1234
 www.tripplite.com

Dimensions: [mm] INCHES

Tripp Lite has a policy of continuous improvement. Specifications are subject to change without notice.