

4

3

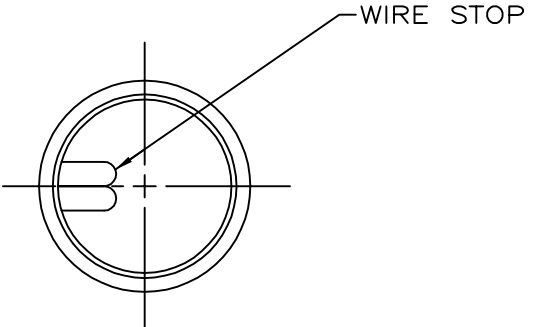
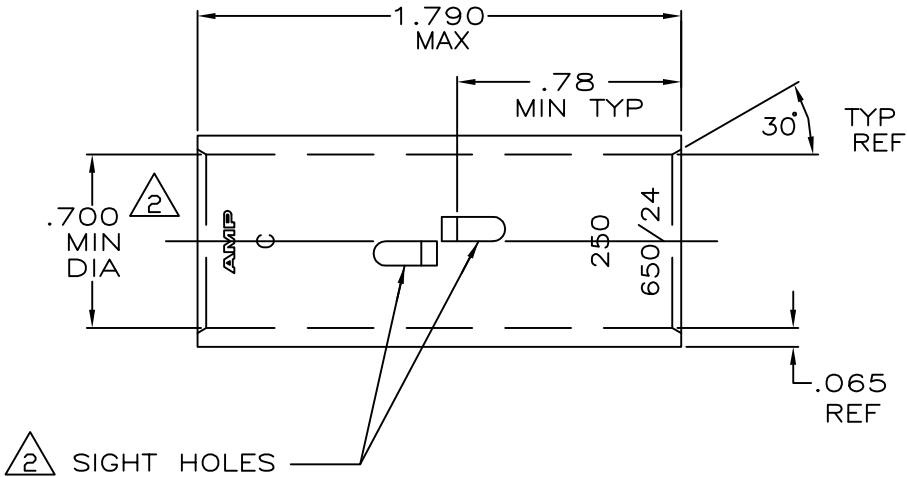
2

1

THIS DRAWING IS UNPUBLISHED. RELEASED FOR PUBLICATION -.-

© COPYRIGHT - By - ALL RIGHTS RESERVED.

LOC	DIST	REVISIONS					
G	86	P	LTR	DESCRIPTION	DATE	DWN	APVD
		P		ECR-13-000998	11FEB2013	PK	HS



- 1 TIN PL .000150 MIN THK PER ASTM B 545
- 2 .045 MAX BURR ALLOWED INSIDE THE WIRE BARREL ID IN AREA OF SIGHT HOLE.

231 - 275 MCM	CLEANED	COPPER ASTM-B-75 ANNEALED	1-324462-0
	△		324462
WIRE RANGE	FINISH	MATERIAL	PART No

THIS DRAWING IS A CONTROLLED DOCUMENT.		DWN DK SCHRUM 4/24/89	TE TE Connectivity	
		CHK MS FEHER 4/24/89		
DIMENSIONS: INCHES		APVD WJ VOCKROTH 11/8/89	NAME SPLICE, BUTT, AMPPOWER WIRE SIZE: 250 MCM	
TOLERANCES UNLESS OTHERWISE SPECIFIED: 0 PLC ± - 1 PLC ± - 2 PLC ± - 3 PLC ± - 4 PLC ± - ANGLES ± -		PRODUCT SPEC -	APPLICATION SPEC -	
MATERIAL SEE TABLE	FINISH SEE TABLE	WEIGHT .090 LB.	SIZE A3	CAGE CODE 00779
CUSTOMER DRAWING			DRAWING NO C=324462	RESTRICTED TO -
			SCALE 2:1	SHEET 1 OF 1
			REV P	