

MODEL:

PDU3XMV6L2220

3-Phase Metered Rackmount PDU



415/400/380V
3-Phase Input



L22-20P Plug



240/230/200V
Single-Phase
Output



45 Outlets

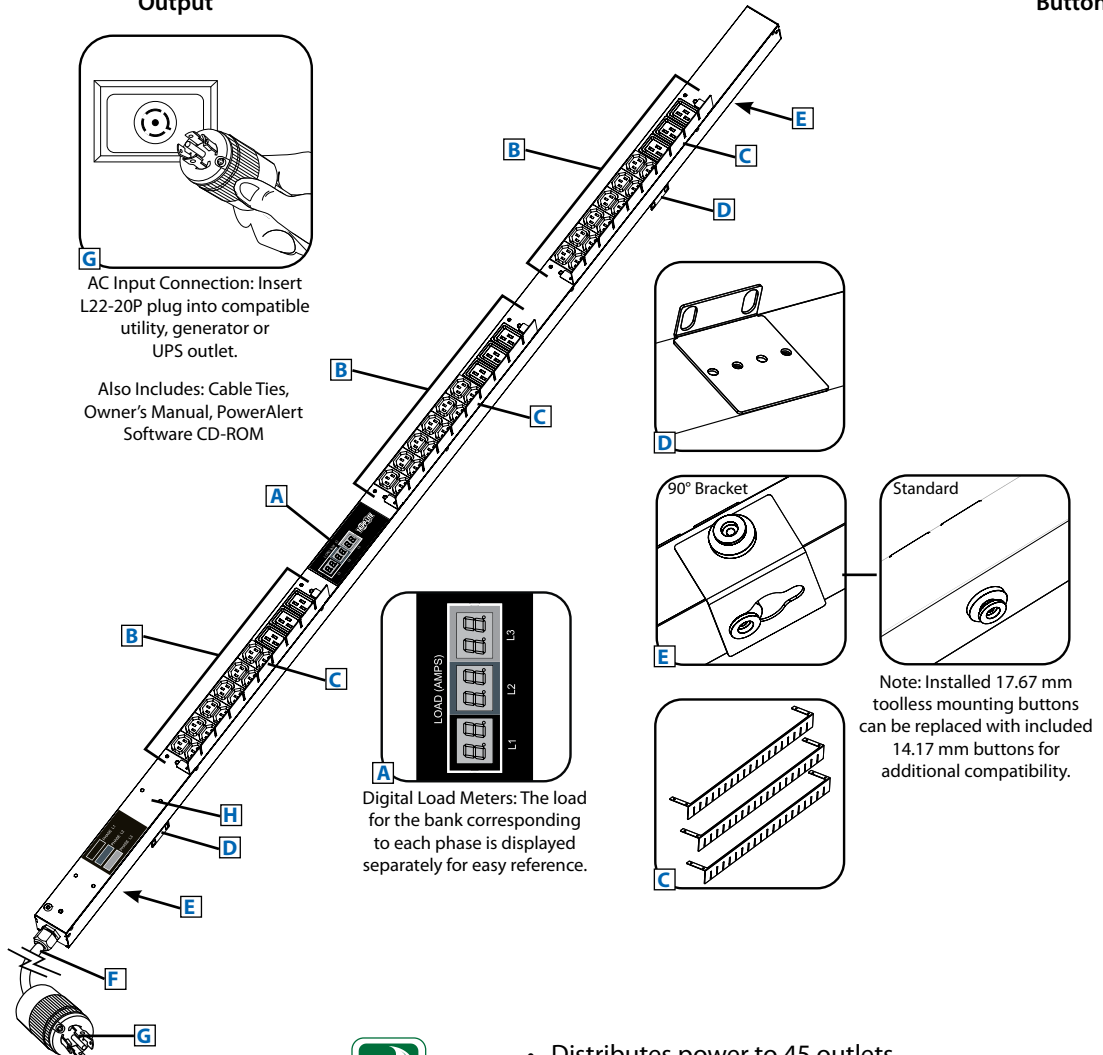


11.5/11/10.5kW
Load Capacity



Toolless
Mounting
Buttons

- A** Digital Load Meters
- B** C13 and C19 Outlets
- C** Removable Cord Retention Brackets
- D** Removable Mounting Brackets
- E** Toolless Mounting Buttons with Removable 90° Rotation Brackets
- F** 6-ft. Input Power Cord
- G** L22-20P Plug
- H** Durable Metal Case



Specifications

Model	PDU3XMV6L2220
Voltage	415/400/380V 3-Phase Input/ 240/230/200V Single-Phase Output
Frequency	50/60Hz
Load Capacity	11.5/11/10.5kW
Input Plug	L22-20P
Input Cord Length	6 ft.
Outlets	45 (36 C13 / 9 C19)
Primary Mounting Option	0U (Vertical) Rackmount
Unit Weight &	8.0 lbs / 70 x 1.93 x 2.2 in.
Dimensions (H x W x D)	See next page for detailed unit measurements.
Certifications	Tested to UL 60950-1, CE (EN60950-1), Class A, NOM, ROHS

Tripp Lite has a policy of continuous improvement. Specifications are subject to change without notice.

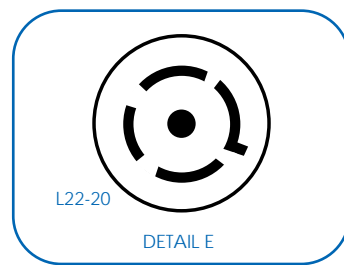
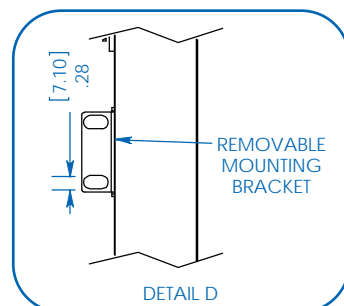
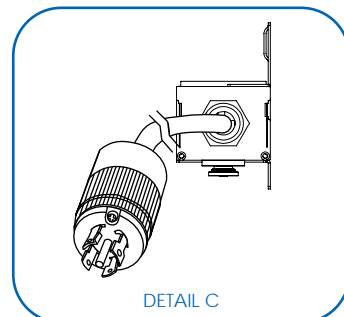
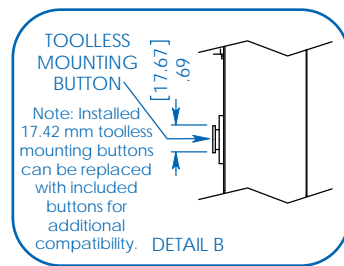
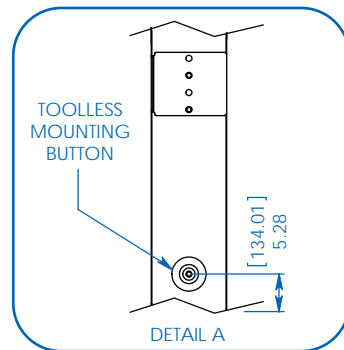
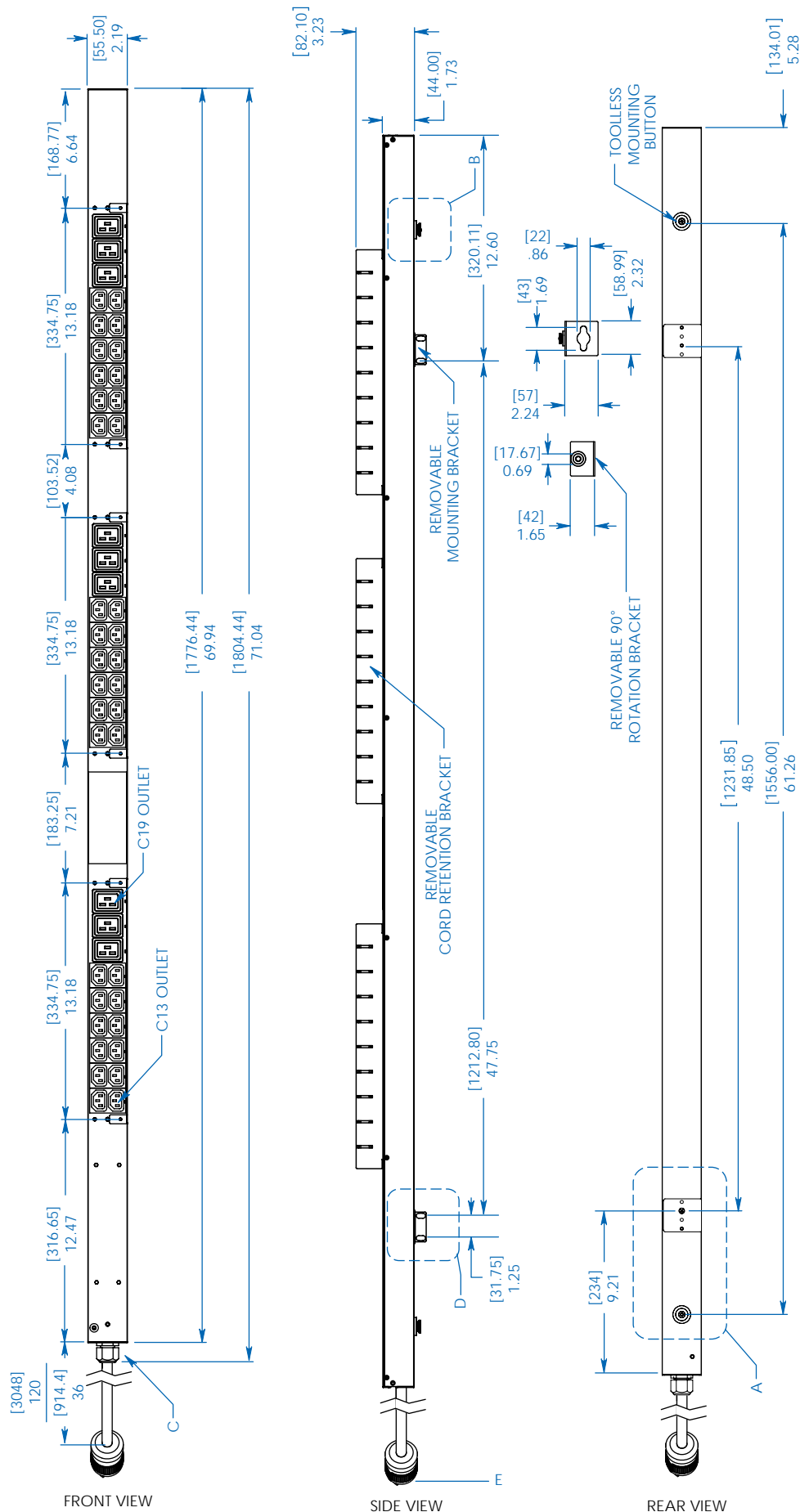


- Distributes power to 45 outlets (12 C13 and 3 C19 per phase)
- Displays load for output phase in real time
- Perfect for rackmount server, network and telecom applications

SEE NEXT PAGE FOR DETAILED UNIT MEASUREMENTS



1111 W. 35th Street
Chicago, IL 60609 USA
773.869.1234
www.tripplite.com



Dimensions: [mm] INCHES

Tripp Lite has a policy of continuous improvement. Specifications are subject to change without notice.

MODEL:
PDU3XMV6L2220



1111 W. 35th Street
Chicago, IL 60609 USA
773.869.1234

www.tripplite.com