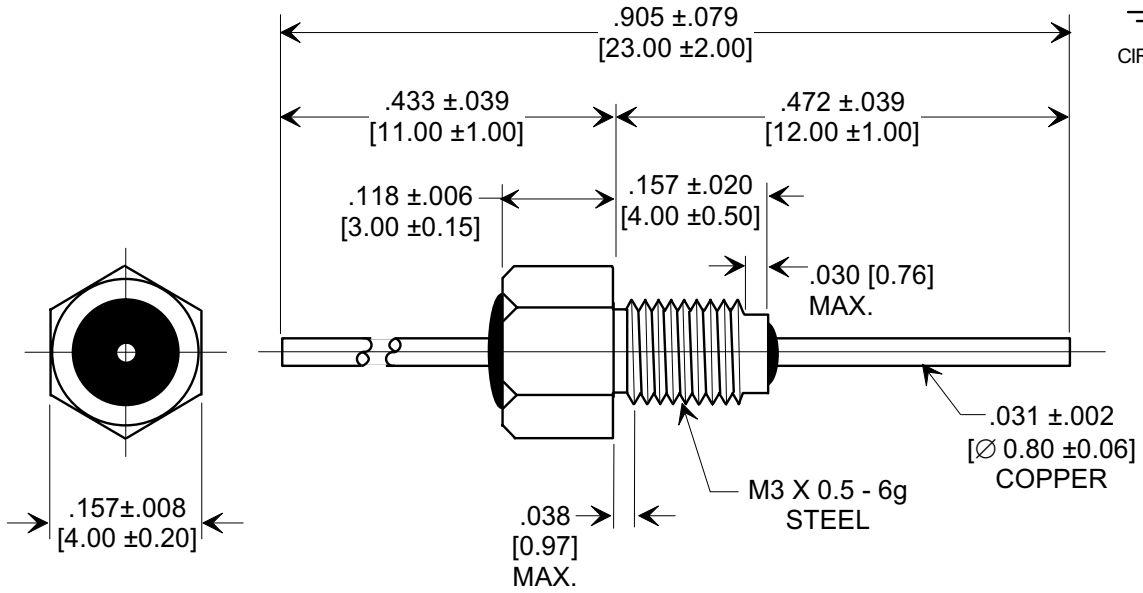
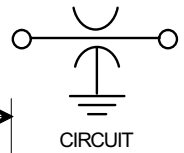
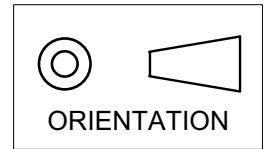
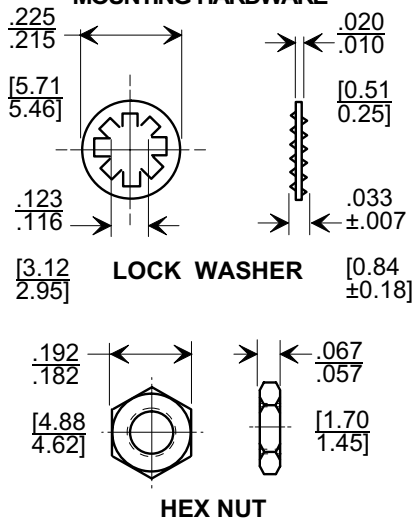


MARKETING SALES DRAWING
DIMENSIONS IN INCHES - DO NOT SCALE THIS DRAWING
DIMENSIONS IN METRIC []

Electrical Testing
per Tusonix standard
test plans and Mil-Std-202
Test Methods.



MOUNTING HARDWARE



- NOTES:**
- TUSONIX STANDARD PART NUMBER: 4400-094.
TUSONIX RoHS COMPLIANT PART NUMBER: 4400-094 LF.
CUSTOMER MUST SPECIFY STANDARD OR RoHS PART NUMBER WHEN ORDERING.
 - MATERIAL: BUSHING; SILVER PLATED. LEAD; SILVER PLATED.
 - PART MARKING: TRADEMARK AND VARIATION NUMBER ON HEX FLATS. STANDARD PART: BLACK INK. RoHS PART: GREEN INK.
 - OPERATING TEMP. RANGE: -55°C TO +125°C.
 - MAX. RECOMMENDED SOLDERING TEMPERATURE : 260° C.
 - SUPPLIED WITH SILVER PLATED INTERNAL TOOTH LOCK WASHER.
 - MAX. RECOMMENDED MOUNTING TORQUE : 2.0 [226 Nm.]

CAP.(pf)	TOLERANCE	DC WORKING VOLTAGE		DC CURRENT (AMPS)	I.R. MIN. @ 100 (VDC)	DWV (VDC)	MIN. NO LOAD INSERTION LOSS (db) @ 25°C PER MIL-STD-220				
		85°C	125 °C				1 MHz	10 MHz	100 MHz	1 GHz	10 GHz
4,700	GMV	150	100	10	10 G Ω	250	---	15	30	45	55

REVISION RECORD Original Release C.O. 19991013-1-02 ADDED HEX NUT (2) PLCS. S.M. 01-07-00 20000104-1-02 ORIENTATION SYMBOL ADDED DWV(VDC) 500 DELETED L.E. 04-14-00 20000410-2-03 ADDED IR & DWV. ADDED & REVISED NOTES.S.M.12-01-05 20051128-1-14	0		1		2		3		--TOLERANCES-- Unless Otherwise Specified		Title BUSHING STYLE EMI FILTER	
	DECIMAL ± NOTED		ANGLES ±		Drawn S.M. 10-14-99		Scale 5 X		TUSONIX TUCSON, ARIZONA		Approved E.F. 10-14-99	
	A		4400-094		A		4400-094					

X-2015 Rev-0