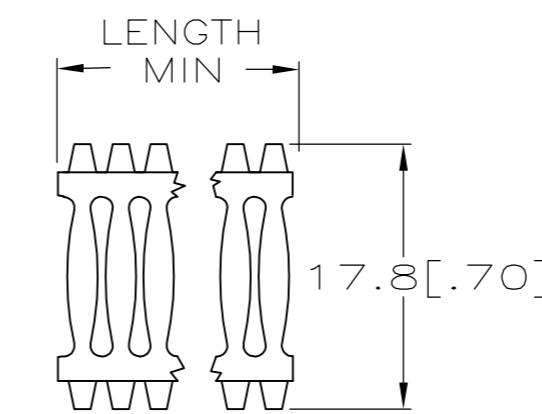


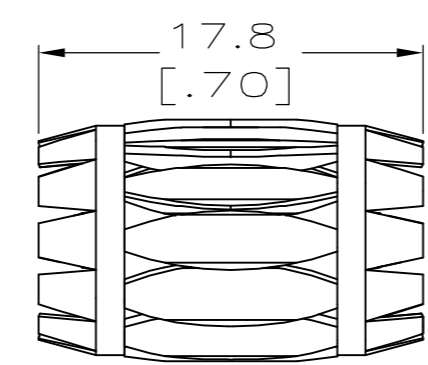
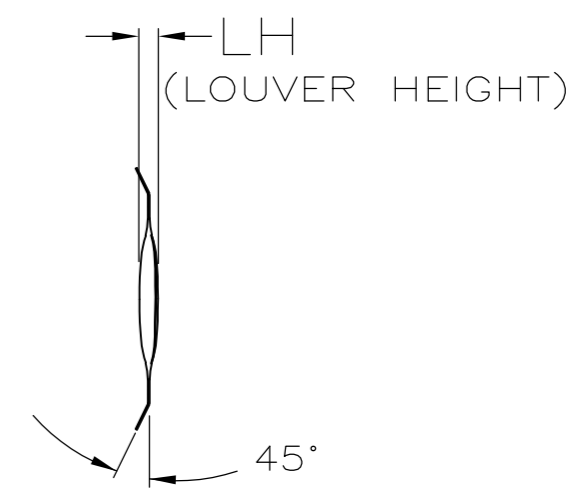
THIS DRAWING IS UNPUBLISHED. RELEASED FOR PUBLICATION
 © COPYRIGHT - By - ALL RIGHTS RESERVED.

REVISIONS				
P	LTR	DESCRIPTION	DATE	APVD
J1		REVISED PER ECO-16-012453	24AUG2016	NK MZ

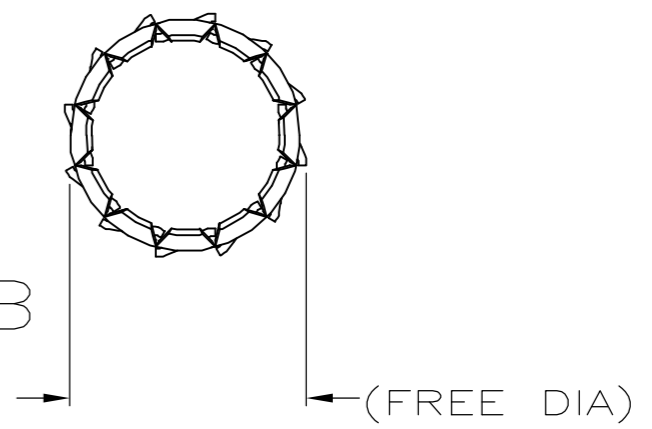
LH	(FREE DIA)	MAT'L	LENGTH	MATING HOLE Ø REF	PLATING	NUM LOUV	MAT'L THK	REF	PART NO.
[.050]	--	BeCu		51.33 [2.021]	3-2	62	0.10[.004]	--	4-192008-6
[.050]	--	BeCu		22.00 [.866]	3-2	26	0.10[.004]	--	4-192008-5
[.052]	--	BeCu	NOTE 12	--	3-2	--	0.25[.010]	--	4-192008-4
[.052]	--	BeCu	NOTE 12	--	3-2	--	0.20[.008]	--	4-192008-3
[.050]	[1.40]	BeCu		--	3-2	44	0.15[.006]	--	4-192008-2
[.052]	[2.00]	BeCu		58.4[2.300]	UNPL	72	0.25[.010]	--	4-192008-1
[.052]	[2.00]	BeCu		58.4[2.300]	3-2	72	0.25[.010]	--	4-192008-0
[.050]	[1.29]	BeCu		34.9[1.375]	3-2	41	0.15[.006]	01324	3-192008-9
[.048]	[1.04]	CNCL		33.0[1.300]	UNPL	33	0.15[.006]	01312	3-192008-8
[.050]	[1.26]	BeCu		33.0[1.300]	3-2	40	0.15[.006]	01238	3-192008-7
[.050]	[1.16]	BeCu		31.8[1.250]	3-2	37	0.15[.006]	01237	3-192008-6
[.050]	[1.16]	BeCu		31.8[1.250]	3-2	37	0.15[.006]	01231	3-192008-5
[.052]	[1.13]	BeCu		30.4[1.197]	3-2	36	0.20[.008]	01213	3-192008-4
[.052]	[1.13]	BeCu		30.4[1.197]	UNPL	36	0.20[.008]	01226	3-192008-3
[.050]	[1.13]	BeCu		30.4[1.197]	3-2	36	0.15[.006]	01114	3-192008-2
[.052]	[1.16]	BeCu		30.3[1.195]	3-2	37	0.20[.008]	01194	3-192008-1
[.050]	[1.10]	BeCu		30.2[1.188]	3-2	35	0.15[.006]	01212	3-192008-0
[.052]	[1.07]	BeCu		28.7[1.129]	3-2	34	0.20[.008]	01190	2-192008-9
[.050]	[1.07]	BeCu		28.7[1.129]	3-2	34	0.15[.006]	01191	2-192008-8
[.050]	[1.00]	BeCu		27.1[1.068]	3-2	32	0.15[.006]	01188	2-192008-7
				OBSOLETE				--	2-192008-6
[.052]	[.94]	BeCu		25.4[1.000]	3-2	30	0.20[.008]	01184	2-192008-5
[.052]	[.94]	BeCu		25.4[1.000]	UNPL	30	0.20[.008]	01183	2-192008-4
[.050]	[.94]	BeCu		25.4[1.000]	3-2	30	0.15[.006]	01182	2-192008-3
[.050]	[.94]	BeCu		25.4[1.000]	UNPL	30	0.15[.006]	01180	2-192008-2
[.052]	[.81]	BeCu		22.3[.879]	3-2	26	0.20[.008]	01171	2-192008-1
[.052]	[.81]	BeCu		22.3[.879]	UNPL	26	0.20[.008]	01221	2-192008-0
[.050]	[.81]	BeCu		22.3[.879]	3-2	26	0.15[.006]	01277	1-192008-9
[.052]	[.75]	BeCu		20.2[.796]	3-2	24	0.20[.008]	01162	1-192008-8
[.052]	[.75]	BeCu		20.2[.796]	UNPL	24	0.20[.008]	01222	1-192008-7
[.052]	[.72]	BeCu		19.8[.781]	3-2	23	0.20[.008]	01159	1-192008-6
[.050]	[.72]	BeCu		19.8[.781]	3-2	23	0.15[.006]	01316	1-192008-5
[.052]	[.69]	BeCu		19.0[.750]	1-2	22	0.20[.008]	01236	1-192008-4
[.052]	[.69]	BeCu		19.0[.750]	3-2	22	0.20[.008]	01158	1-192008-3
[.052]	[.69]	BeCu		19.0[.750]	UNPL	22	0.20[.008]	01295	1-192008-2
[.050]	[.69]	BeCu		19.0[.750]	1-2	22	0.15[.006]	01160	1-192008-1
[.050]	[.69]	BeCu		19.0[.750]	3-2	22	0.15[.006]	01157	1-192008-0
[.050]	[.69]	BeCu		19.0[.750]	UNPL	22	0.15[.006]	--	192008-9
[.052]	[.56]	BeCu		16.0[.630]	3-2	18	0.20[.008]	01149	192008-8
[.050]	[.53]	BeCu		14.1[.554]	3-2	17	0.15[.006]	01142	192008-7
[.050]	[.49]	BeCu		12.7[.500]	3-2	14	0.15[.006]	01140	192008-6
[.050]	[.49]	BeCu		12.7[.500]	UNPL	14	0.15[.006]	01215	192008-5
[.050]	--	BeCu	[5.20]	--	3-2	52	0.15[.006]	01040	192008-4
[.050]	--	BeCu	NOTE12	--	3-2	--	0.15[.006]	01014	192008-3
[.050]	--	BeCu	NOTE12	--	UNPL	--	0.15[.006]	01042	192008-2
[.050]	--	BeCu	NOTE12	--	3-2	--	0.10[.004]	01050	192008-1



STYLE C
(STRIP)



STYLE B
(MALE)



- 1 FINISH: GOLD PLATE 10 uIN MIN.
 - 2 FINISH: NICKEL PLATE 40 uIN MIN.
 - 3 FINISH: SILVER PLATE 200 uIN MIN.
 - 4 NOT USED.
 - 5 NOT USED.
 - 6 NOT USED.
 - 7 NOT USED.
 - 8 NOT USED.
 - 9 NOT USED.
 - 10 NOT USED.
 - 11 PLATING NOTES TO BE INTERPRETED AS FOLLOWS, 3-2 AS 3 OVER 2.
 - 12 PRODUCT IS SOLD BY FOOT, 3 FEET MINIMUM.
- 13 PRELIMINARY PART NUMBER.
- 14 OBSOLETE PARTS: OBSOLETE CIS STREAMLINING PER D.RENAUD/D.SINISI

DIMENSIONS:	TOLERANCES UNLESS OTHERWISE SPECIFIED:	PRODUCT SPEC	APPLICATION SPEC	WEIGHT	SCALE	SHEET	REV
INCHES	0 PLC ± - 1 PLC ± - 2 PLC ± 0.5[.02] 3 PLC ± 0.25[.010] 4 PLC ± - ANGLES ± -				NTS	1 of 1	J1
MATERIAL	SEE TABLE	FINISH	SEE TABLE	CUSTOMER DRAWING			

THIS DRAWING IS A CONTROLLED DOCUMENT. DWN 06-30-92 RA JAYNE
 CHK -
 APVD -
 NAME
 CONTACT BAND, MALE
 SIZE A2 CAGE CODE 00779 DRAWING NO C=192008 RESTRICTED TO -
 SCALE NTS SHEET 1 of 1 REV J1

TE Connectivity

192008