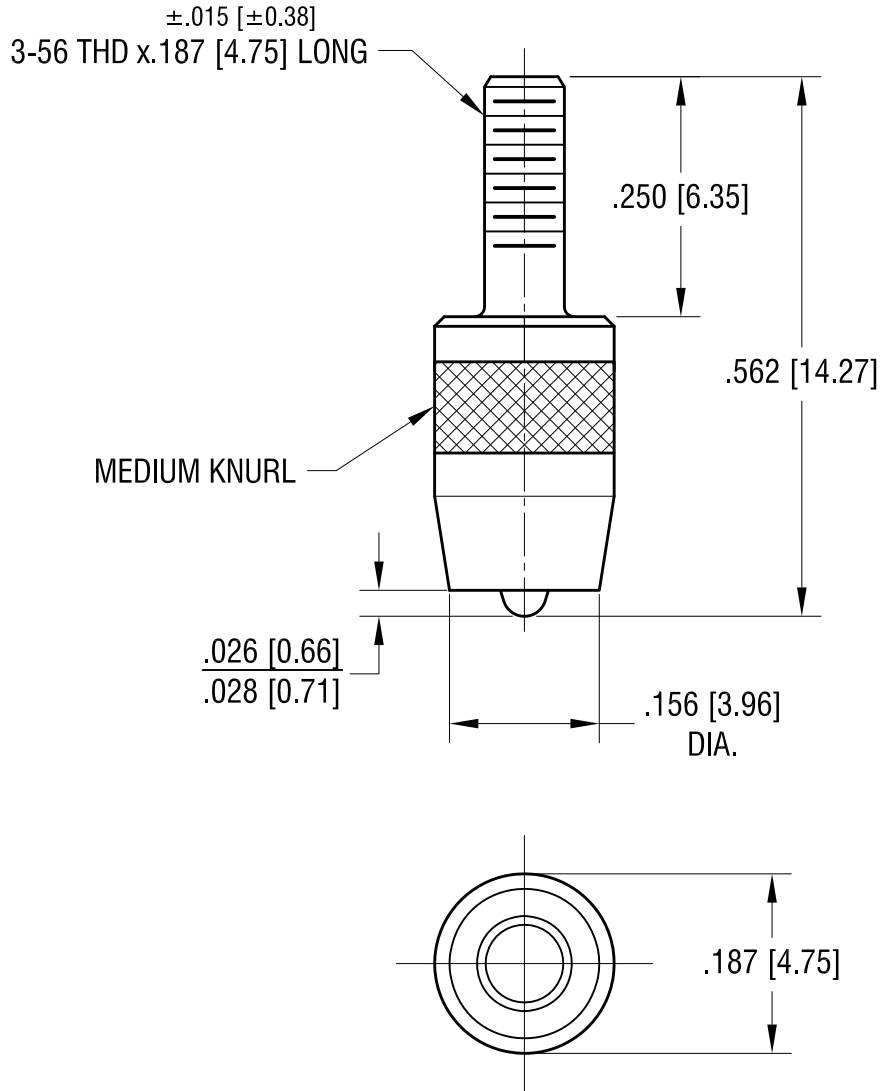


THIS DOCUMENT IS THE PROPERTY OF  
KEYSTONE ELECTRONICS CORP. AND  
SHALL NOT BE REPRODUCED, DISTRIBUTED  
OR USED AS A BASIS FOR MANUFACTURE  
WITHOUT PRIOR WRITTEN PERMISSION  
FROM KEYSTONE ELECTRONICS CORP.

ACTUAL SIZE



- NOTE:  
1. HEAT TREAT  
2. FINISH: BLACK ZINC

<b>KEYSTONE ELECTRONICS CORP.</b>			
www.keyelco.com • ASTORIA, N.Y. 11105-2017 • Tel (718) 956-8900			
PART NAME		TOP SETTING TOOL	
MATERIAL		DRILL ROD (W-1)	
FINISH		DRN BY	DATE
AS NOTED		LN	5.18.82
		APP'D	SCALE
		LN	5X
TOLERANCES	INCH [MM]	CODE	DWG NO.
DECIMAL	± .005 [± 0.13]	C	1312
ANGULAR	± 1°		
UNLESS OTHERWISE SPECIFIED			

3.15.13	CHANGE AS PER ECN 13-027	A
DATE	DESCRIPTION	REV.