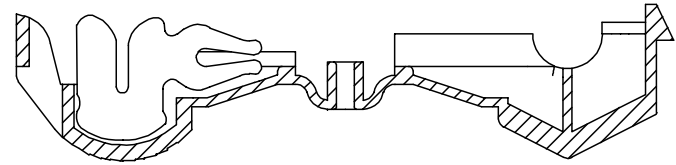
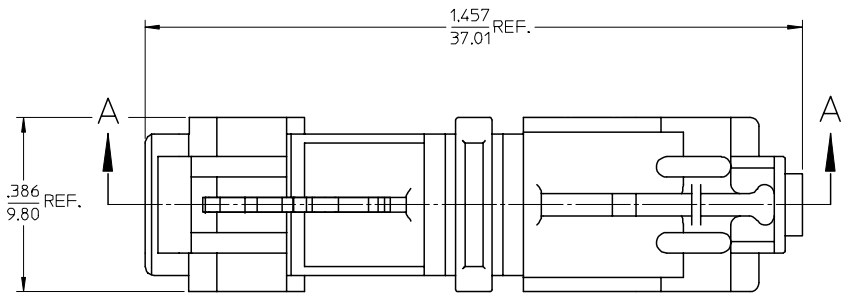
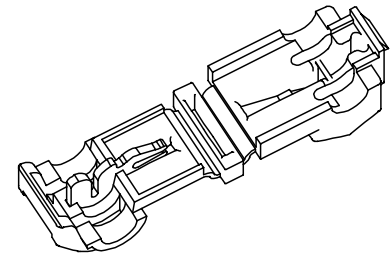
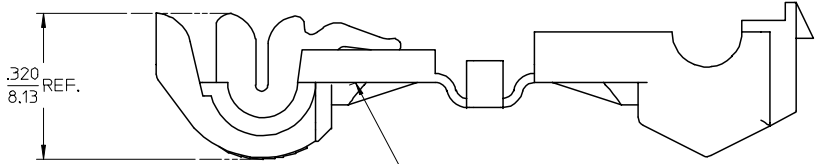


12 11 10 9 8 7 6 5 4 3 2 19216

| ASSEMBLY MATERIAL NO. | ASSEMBLY ENG. NO. | WIRE RANGE MARKING (XXXXX) | HOUSING COLOR |
|-----------------------|-------------------|----------------------------|---------------|
| 192160017             | WTB-1814          | 18-14 AWG                  | BLUE          |
| 192160018             | WTB-22-18         | 22-18 AWG                  | RED           |
| 192160019             | WTB-12            | 12 AWG                     | YELLOW        |



SECTION A-A



INSERT TO BE FULLY SEATED AGAINST FLOOR

# SALES DRAWING

|   |                               |                                       |                      |                      |                       |                           |                                  |                                       |  |
|---|-------------------------------|---------------------------------------|----------------------|----------------------|-----------------------|---------------------------|----------------------------------|---------------------------------------|--|
| RELEASE TO W/MANAGER<br>EC NO: ETC2004-0058<br>DRWN: DMYRICK 2003/09/05<br>CHKD: RWD 2003/09/05<br>APPR: RDEROSS 2003/09/08   | QUALITY SYMBOLS<br>▽-0<br>◻-0 | GENERAL TOLERANCES (UNLESS SPECIFIED) |                      | SCALE 5:1            | DESIGN UNITS INCH     | THIRD ANGLE PROJECTION    | REVISE ON CAD ONLY               |                                       |  |
|   |                               |                                       | mm                   | INCH                 | DIMENSION STYLE IN/MM |                           | TITLE WIRE TAP TERMINAL ASSEMBLY |                                       |  |
|   |                               | 4 PLACES ± --- ± ---                  | 3 PLACES ± --- ± --- | 2 PLACES ± --- ± --- | 1 PLACE ± --- ± ---   | DRAWN BY DLM              | DATE 03/06/26                    | MOLEX INCORPORATED                    |  |
|   |                               | ANGULAR ±1/2°                         |                      |                      |                       | CHECKED BY RWD            | DATE 03/06/26                    | MATERIAL NO. (SEE CHART) SD-19216-007 |  |
| DRAFT WHERE APPLICABLE MUST REMAIN WITHIN DIMENSIONS  |                               |                                       |                      | APPROVED BY RWD      | DATE 03/06/26         | DOCUMENT NO. SD-19216-007 | SHEET NO. 1 OF 1                 |                                       |  |
| THIS DRAWING CONTAINS INFORMATION THAT IS PROPRIETARY TO MOLEX INCORPORATED AND SHOULD NOT BE USED WITHOUT WRITTEN PERMISSION |                               |                                       |                      |                      |                       |                           |                                  |                                       |  |

11 10 9 8 7 6 5 4 3 2 1