

A

B

C

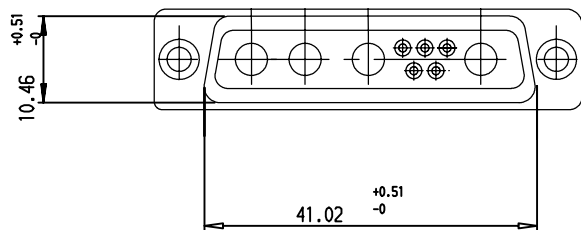
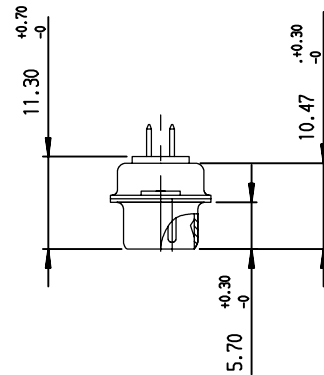
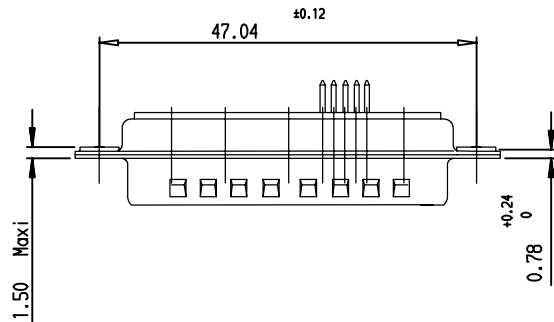
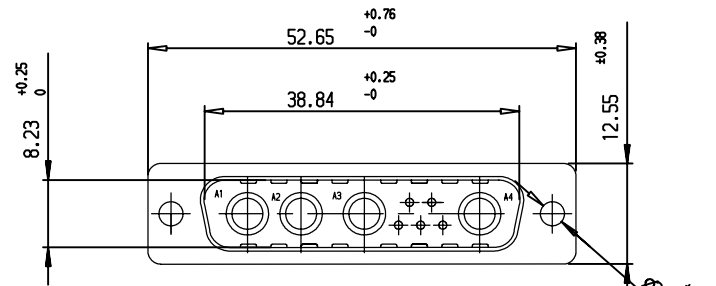
D

A

B

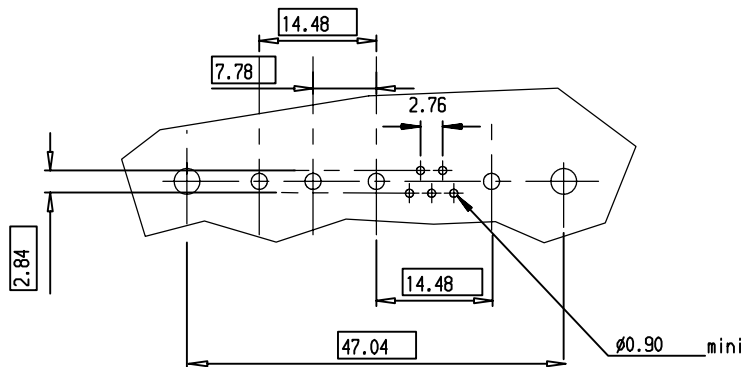
C

D



DB9W4P300A00LF  
PART NUMBER

LAYOUT DIMENSIONS (after plating)  
CONNECTOR SIDE VIEW



GENERAL CHARACTERISTICS AND ROHS INFORMATIONS:  
SEE DRAWING C01-8639-0000

European Views

www.fciconnect.com		surface ISO 1302	tolerance std ISO 406 ISO 1101	projection mm	size A3	Scale 1.5
		TOLERANCES UNLESS OTHERWISE SPECIFIED		ANGULAR	LINEAR	0.X ±0.1
				0.XX ±0.1	0.XXX ±0.1	ECN L506-0095
Dr	PESSON	2005/12/01	Product family		D-SUB	Spec ref -
Eng	PESSON	2005/12/01	Product family		D-SUB	Spec ref -
Chr	LEGARE	2005/12/01	Product family		D-SUB	Spec ref -
Appr	LEGARE	2005/12/01	Product family		D-SUB	Spec ref -
FCI		PIN CONNECTOR WITH STRAIGHT CONTACTS			C01-8639-2258	
catalog no		-			CUSTOMER sheet 1 of 1	

rev	ecn no	dr	date
A	LS05-0106	MPE	2005/12/01
B	LS06-0095	LGO	2006/07/28
-	-	-	-
-	-	-	-
-	-	-	-
-	-	-	-



Copyright FCI.