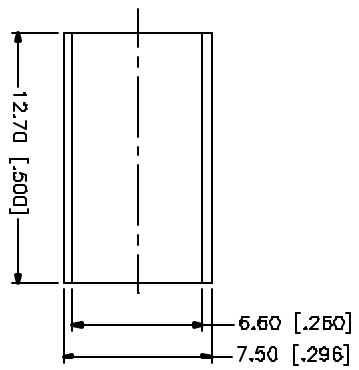
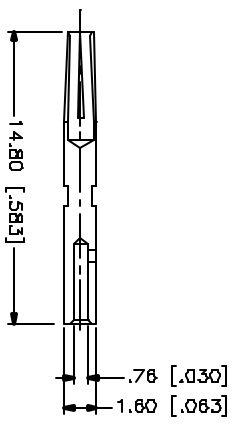
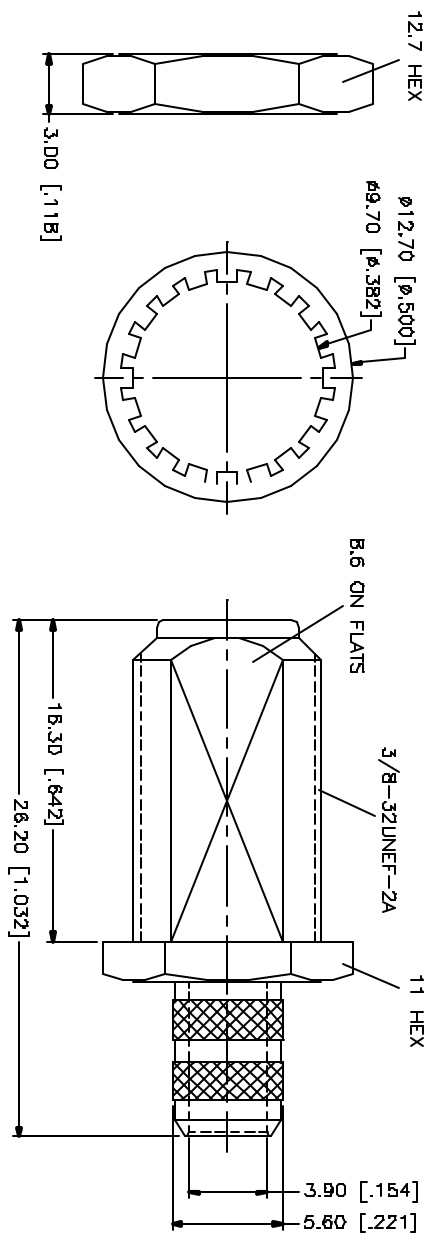
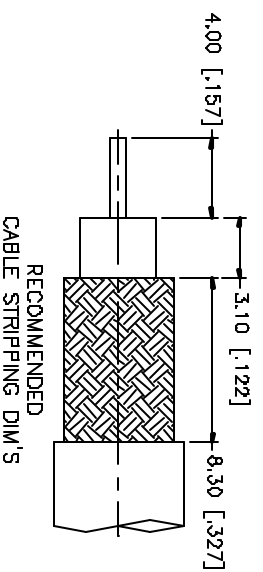
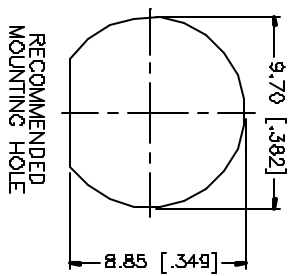


REV.	DATE	DESCRIPTION
NC	10/15/04	INITIAL RELEASE



- NOTES:
1. CRIMPED FERRULE HEX CRIMP SIZE .255"
 2. CONTACT PIN TO SOLDER

DESCRIPTION	MATERIAL	FINISH	QTY	DO NOT SCALE DRAWING	APPROVALS	DATE	PART DESCRIPTION
HEX NUT	BRASS	NICKEL	1		G.R.S.	10/15/04	Amphenol Connex F BULKHEAD CRIMP JACK (FOR RG-59/U) 222158-10
LOCK WASHER	BRASS	NICKEL	1				
FERRULE	COPPER	NICKEL	1				
CONTACT PIN	PHOS. BRONZE	GOLD	1				
INSULATOR BODY	TEFLON BRASS	NATURAL NICKEL	1				
							PART NO. 222158-10
							DWG. NO. 222158-10.DWG
							REV. NC
							SIZE A
							SCALE NA

UNLESS OTHERWISE SPECIFIED DIMENSIONS ARE IN MILLIMETERS DIMENSIONS IN [] ARE IN INCHES AND FOR QUALITY REFERENCE ONLY.
 UNLESS OTHERWISE SPECIFIED TOLERANCES FOR MILLIMETERS ARE:
 0.5 - 30mm ± 0.20mm
 30 - 50mm ± 0.40mm
 50 - 120mm ± 0.50mm
 UNLESS OTHERWISE SPECIFIED TOLERANCES FOR INCHES ARE:
 .020 - .315 = ± 0.007"
 .315 - 1.180 = ± 0.015"
 1.180 - 4.724 = ± 0.020"

CAD FILE C:/222/222158-10.DWG