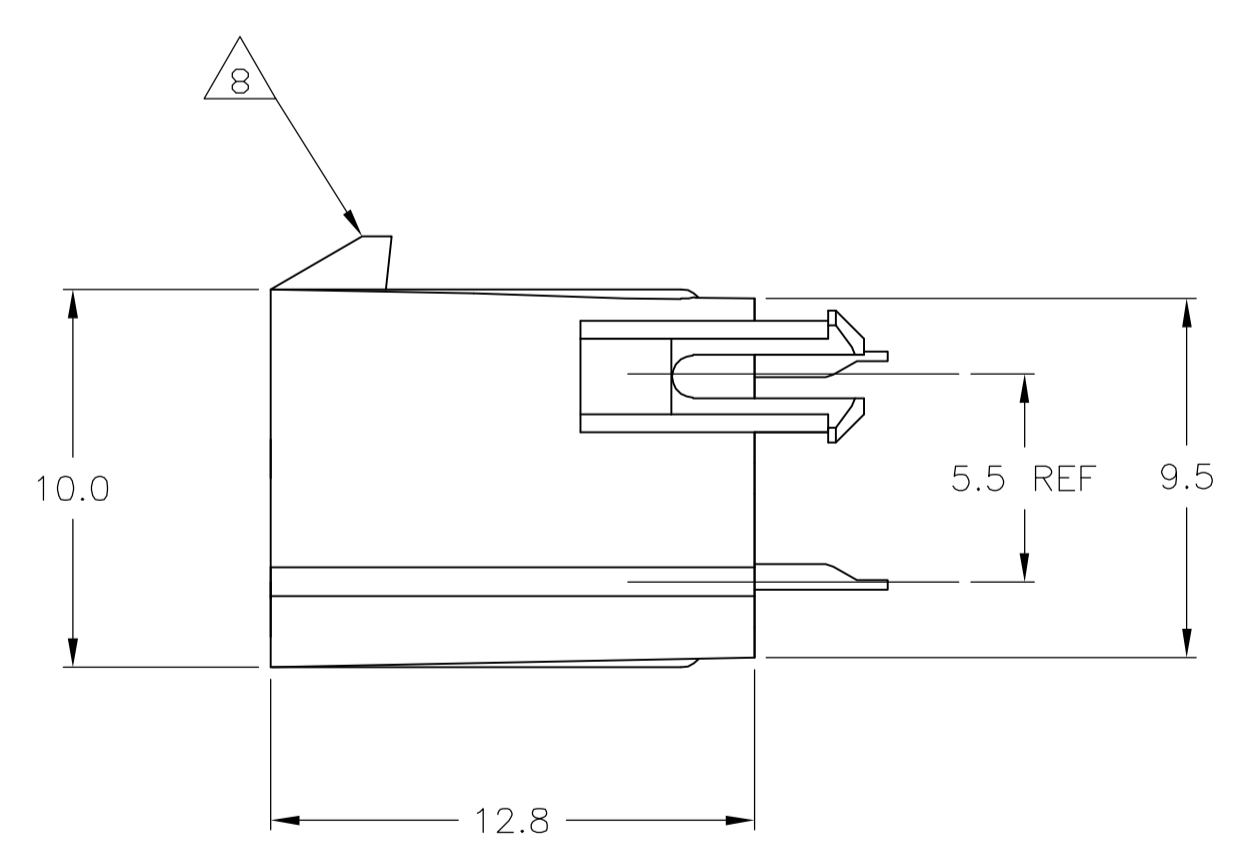
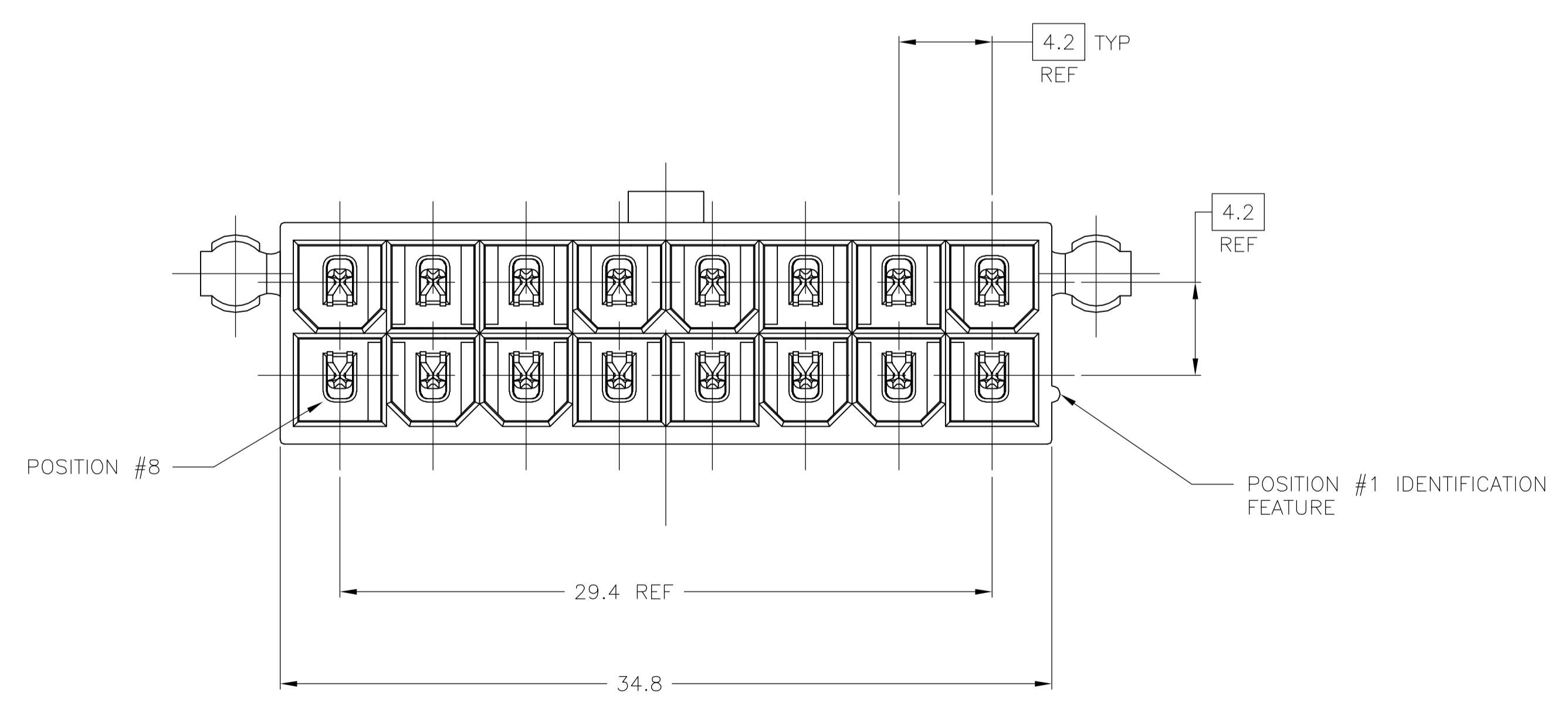
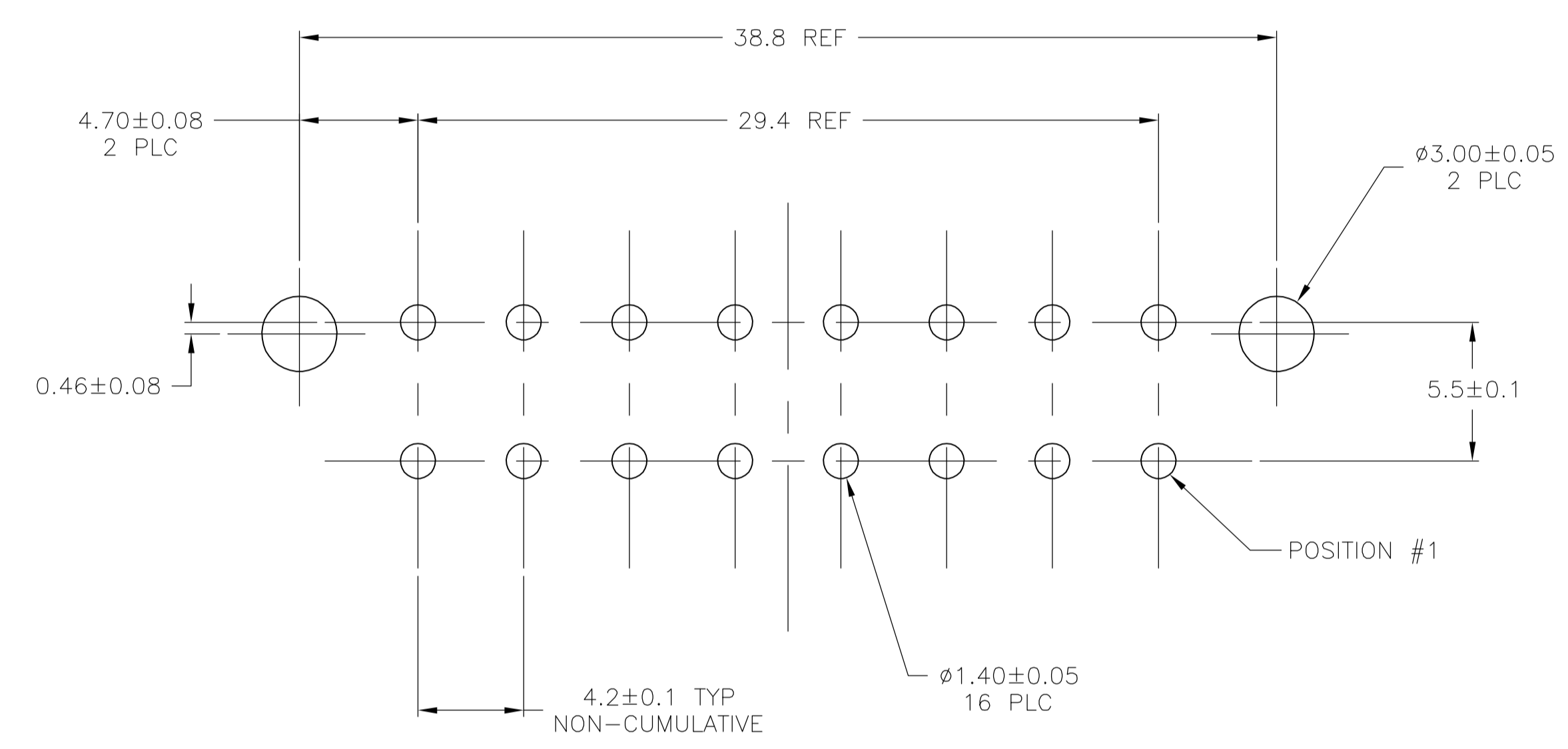
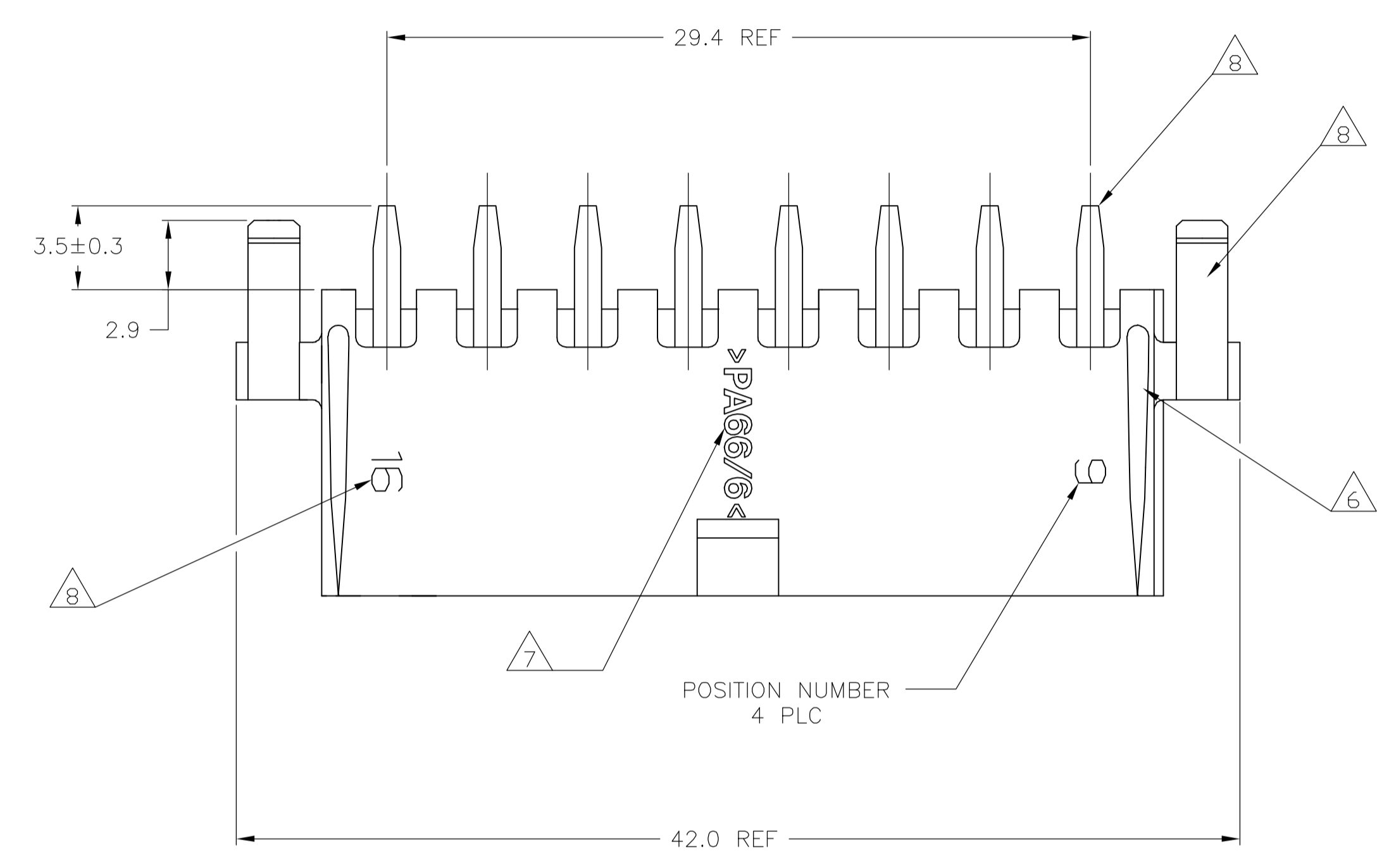


LOC		DIST		REVISIONS			
CM	0	REV	DATE	BY	APP'D	DATE	BY
G	ECO-06-013135		12JUN06	BSV	DC		

- 1 MATERIAL:  
HOUSING: NYLON, UL94V-0 (COLOR - NATURAL, COLOR OF PARTS MAY VARY).  
CONTACTS: 0.25 THK COPPER ALLOY.
- 2 CONTACT FINISH: 0.003 MIN THK TIN-LEAD OVER 0.00127 MIN THK NICKEL OVER ENTIRE CONTACT.
- 3 CONTACT FINISH: 0.00076 MIN THK GOLD PLATE ON PIN MATING SURFACE, 0.003 MIN THK TIN-LEAD PLATE ON SOLDER TAIL, ALL OVER 0.00127 MIN THK NICKEL BASE PLATE.
- 4 SOLDER TAIL MEETS AMP SOLDERABILITY SPECIFICATION 109-11-2.
- 5 MATES WITH SIMILARLY PLATED AMP-DUAC™ POWER CONNECTOR RECEPTACLE HOUSINGS/SOCKET CONTACTS.
- 6 RIBS ON FOUR CORNERS OPTIONAL.
- 7 AMP LOGO AND MATERIAL ID MAY BE LOCATED ON EITHER LONG SIDE OF PART.
- 8 SIZE, SHAPE OR STYLE OF THIS FEATURE MAY VARY.
- 9 CONTACT FINISH: 0.003 MIN THK TIN OVER 0.00127 MIN THK NICKEL OVER ENTIRE CONTACT.
- 10 CONTACT FINISH: 0.00076 MIN THK GOLD PLATE ON PIN MATING SURFACE, 0.003 MIN THK TIN PLATE ON SOLDER TAIL, ALL OVER 0.00127 MIN THK NICKEL BASE PLATE.



	1	10	1	1	1-794429-2
	1	9	1	1	1-794429-1
SUPERCEDED BY 1-794429-2	1	3	1	1	794429-2
SUPERCEDED BY 1-794429-1	1	2	1	1	794429-1
	MATERIAL	FINISH	MATERIAL	COLOR	PART NO.

THIS DRAWING IS A CONTROLLED DOCUMENT.		DIN R VESTAL 25MAR98	 Tyco Electronics Corporation Harrisburg, Pa 17105-3608
DIMENSIONS: mm		CHK R SWING 25MAR98	
TOLERANCES UNLESS OTHERWISE SPECIFIED:		APVD C CASH 25MAR98	NAME
0 PLC ± -		PRODUCT SPEC	
1 PLC ± 0.2		108-1699	
2 PLC ± 0.13		APPLICATION SPEC	
3 PLC ± -		SIZE	
4 PLC ± -		CASE CODE	
ANGLES ± 0.30°		DRAWING NO	
MATERIAL SEE TABLE	FINISH SEE TABLE	WEIGHT	RESTRICTED TO
CUSTOMER DRAWING		A1 00779 C=794429	SCALE 5:1 SHEET 1 OF 1 REV G