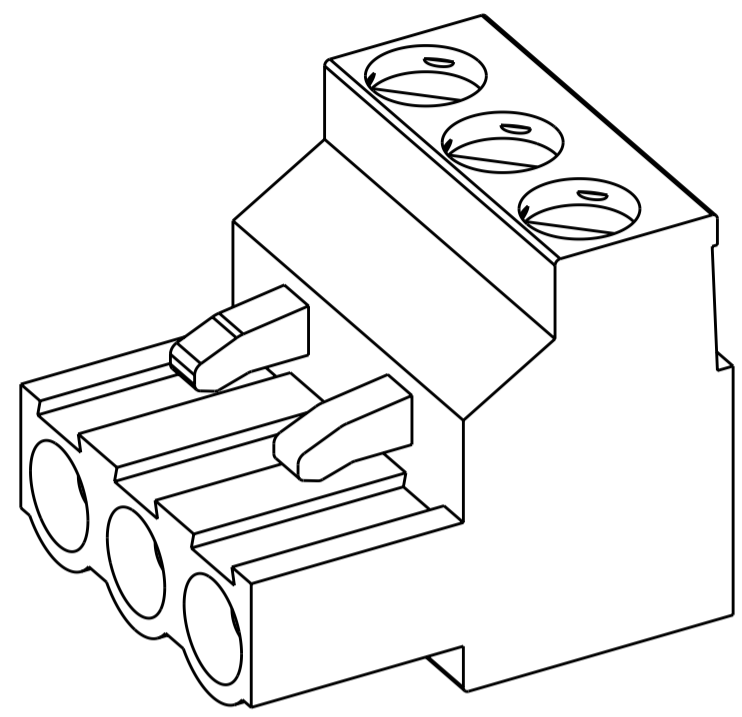
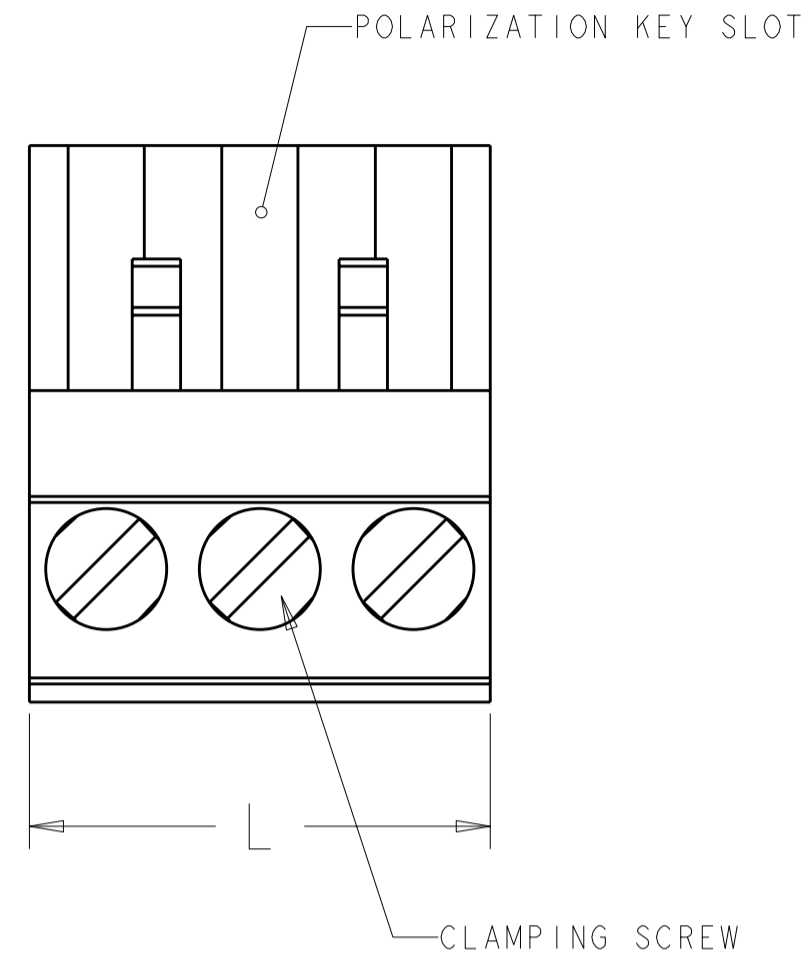
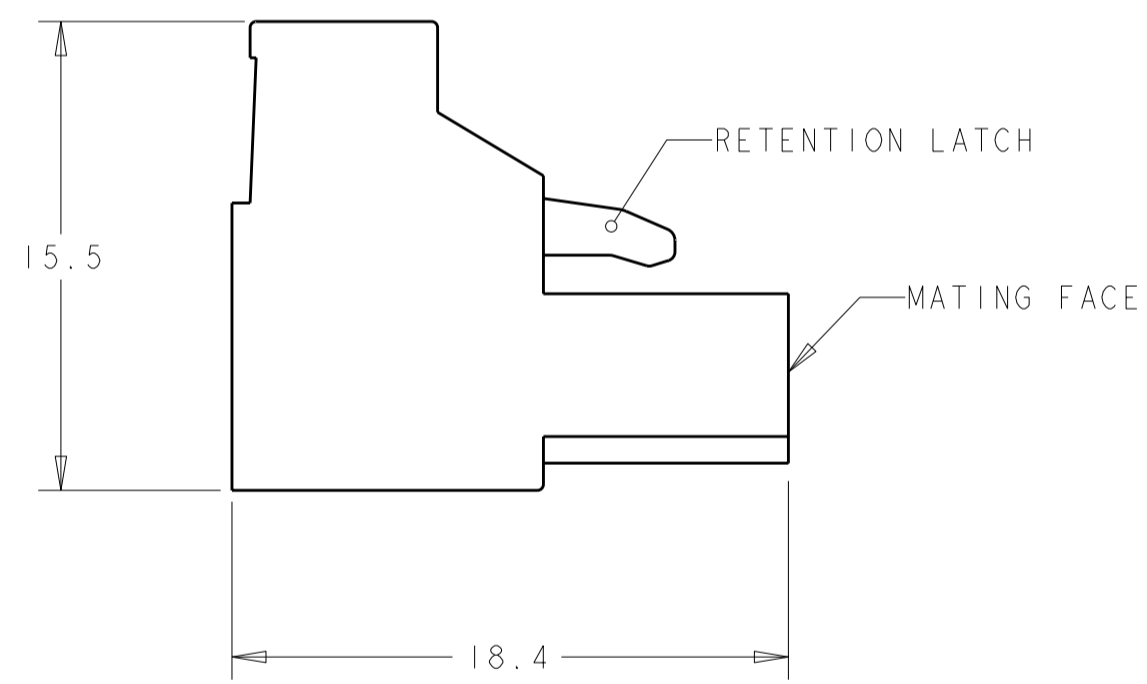
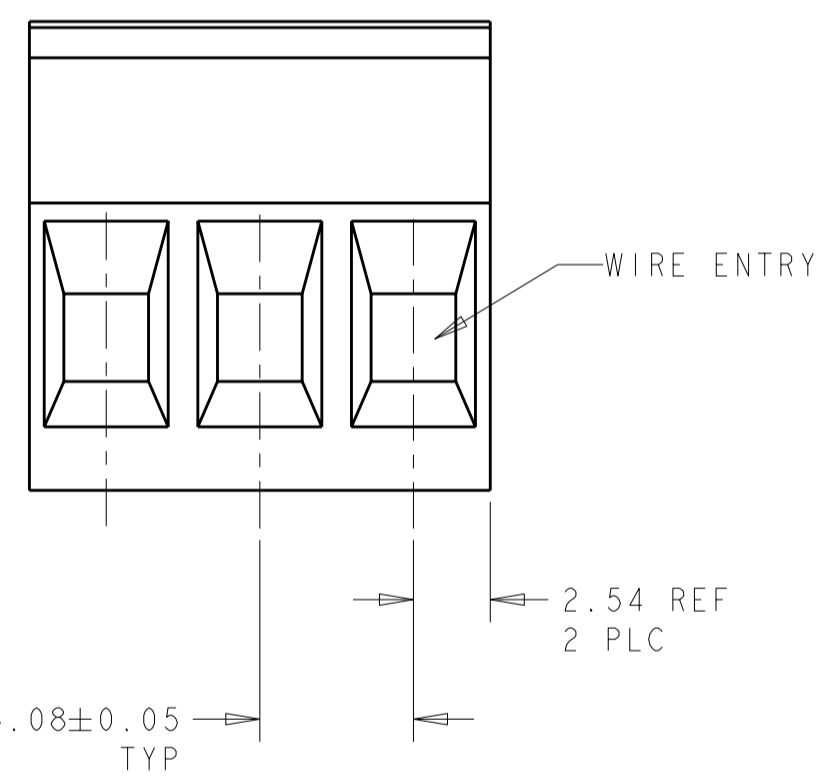


THIS DRAWING IS UNPUBLISHED. RELEASED FOR PUBLICATION 20
 © COPYRIGHT 20 BY - ALL RIGHTS RESERVED.

LOC		DIST		REVISIONS			
P	LTR	DESCRIPTION	DATE	DWN	APVD		
	G10	REVISED PER ECO-11-014465	14JUL2011	HMR	CR		



796635-3 AS SHOWN



PRELIMINARY	-	0.8µm GOLD	106.68	21	5-796635-8
PRELIMINARY	-	0.8µm GOLD	86.36	17	5-796635-7
PRELIMINARY	-	0.8µm GOLD	71.12	14	5-796635-6
PRELIMINARY	-	0.8µm GOLD	60.96	12	5-796635-5
PRELIMINARY	-	0.8µm GOLD	50.80	10	5-796635-4
PRELIMINARY	-	0.8µm GOLD	40.64	8	5-796635-3
PRELIMINARY	-	0.8µm GOLD	35.56	7	5-796635-2
PRELIMINARY	-	0.8µm GOLD	30.48	6	5-796635-1
PRELIMINARY	-	0.8µm GOLD	25.40	5	5-796635-0
PRELIMINARY	-	0.8µm GOLD	20.32	4	4-796635-9
PRELIMINARY	-	0.8µm GOLD	15.24	3	4-796635-8
PRELIMINARY	-	0.8µm GOLD	10.16	2	4-796635-7
DETAIL R		TIN	45.72	9	4-796635-6
DETAIL P		TIN	10.16	2	4-796635-5
-		0.8µm GOLD	20.32	4	4-796635-4
-		0.8µm GOLD	45.72	9	4-796635-3
DETAIL N		TIN	86.36	17	4-796635-2
DETAIL M		TIN	66.04	13	4-796635-1
PRELIMINARY	DETAIL L	TIN	60.96	12	4-796635-0
	DETAIL K	TIN	15.24	3	3-796635-9
	DETAIL J	TIN	81.28	16	3-796635-8
	DETAIL H	TIN	15.24	3	3-796635-7
		GOLD	30.48	6	3-796635-6
		TIN	127.00	25	2-796635-5
		TIN	121.92	24	2-796635-4
		TIN	116.84	23	2-796635-3
		TIN	111.76	22	2-796635-2
		TIN	106.68	21	2-796635-1
		TIN	101.60	20	2-796635-0
		TIN	96.52	19	1-796635-9
		TIN	91.44	18	1-796635-8
		TIN	86.36	17	1-796635-7
		TIN	81.28	16	1-796635-6
		TIN	76.20	15	1-796635-5
		TIN	71.12	14	1-796635-4
		TIN	66.04	13	1-796635-3
		TIN	60.96	12	1-796635-2
		TIN	55.88	11	1-796635-1
		TIN	50.80	10	1-796635-0
		TIN	45.72	9	796635-9
		TIN	40.64	8	796635-8
		TIN	35.56	7	796635-7
		TIN	30.48	6	796635-6
		TIN	25.40	5	796635-5
		TIN	20.32	4	796635-4
		TIN	15.24	3	796635-3
		TIN	10.16	2	796635-2

- MATERIALS AND FINISH:
 HOUSING: PA 6-6, UL 94-V0, COLOR:BLACK.
 CLAMP: BRASS, NICKEL PLATED.
 CONTACT SPRING: PHOSPHOR BRONZE, FINISH: SEE TABLE.
 CLAMPING SCREW: M3, BRASS, NICKEL PLATED.
- END-TO-END STACKABLE WITHOUT LOSS OF CENTERLINE SPACING.
- WIRE SIZE RANGE: 12-30 AWG.
- RECOGNIZED UNDER THE COMPONENT PROGRAM OF UNDERWRITERS LABORATORIES INC. FILE N° E60677.
- IMQ CERTIFICATE WITH SURVEILLANCE IN CONFORMITY WITH IEC 998-1/998-2-1.
- INK MARKING, WHITE COLOR.

THIS DRAWING IS A CONTROLLED DOCUMENT.

DWN: S. WELDON 18OCT2000
 CHK: D. BIEVENOUR 18OCT2000
 APVD: D. BIEVENOUR 18OCT2000

STE TE Connectivity

NAME: TERMINAL BLOCK, PLUG, STACKING, 5.08mm PITCH

SIZE: A2 CAGE CODE: 00779 DRAWING NO: 796635 RESTRICTED TO: -

MATERIAL: - DIMENSIONS: mm TOLERANCES UNLESS OTHERWISE SPECIFIED: 0 PLC ±0.2, 1 PLC ±0.0, 2 PLC ±0.0, 3 PLC ±0.000, 4 PLC ±0.000 ANGLES ±2 FINISH

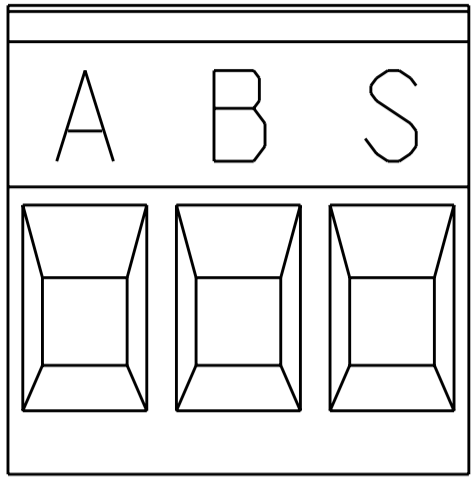
PRODUCT SPEC: - APPLICATION SPEC: - WEIGHT: -

CUSTOMER DRAWING SCALE: 2:1 SHEET 1 OF 2 REV: G10

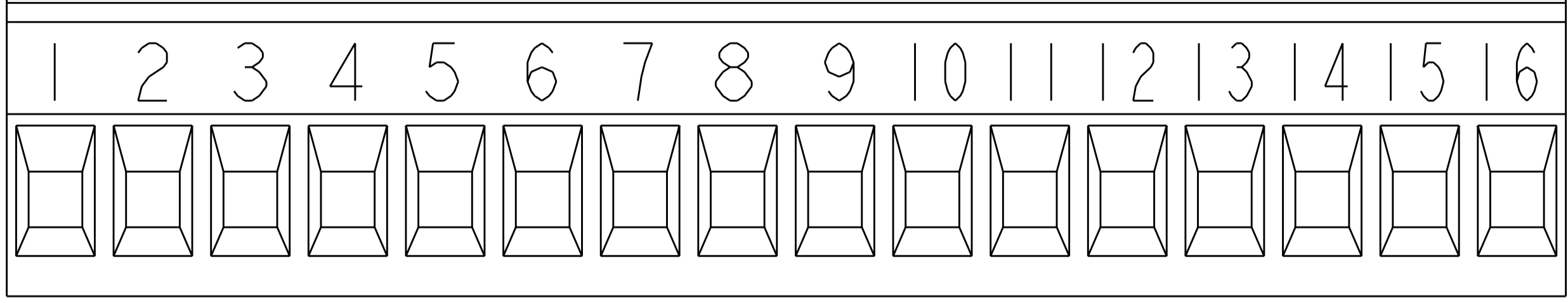
THIS DRAWING IS UNPUBLISHED. RELEASED FOR PUBLICATION 20
 © COPYRIGHT 20 BY - ALL RIGHTS RESERVED.

LOC FT DIST 0

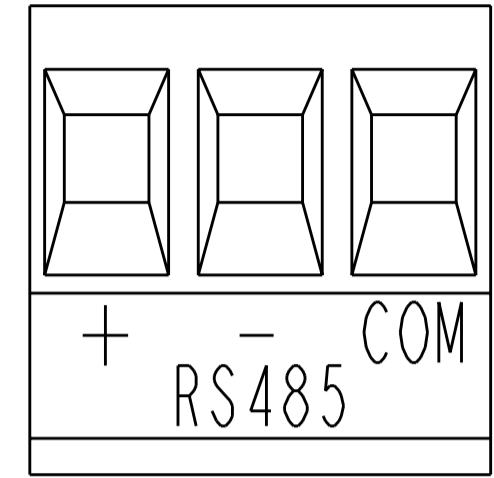
REVISIONS				
P	LTR	DESCRIPTION	DATE	APVD
-		SEE SHEET 1		



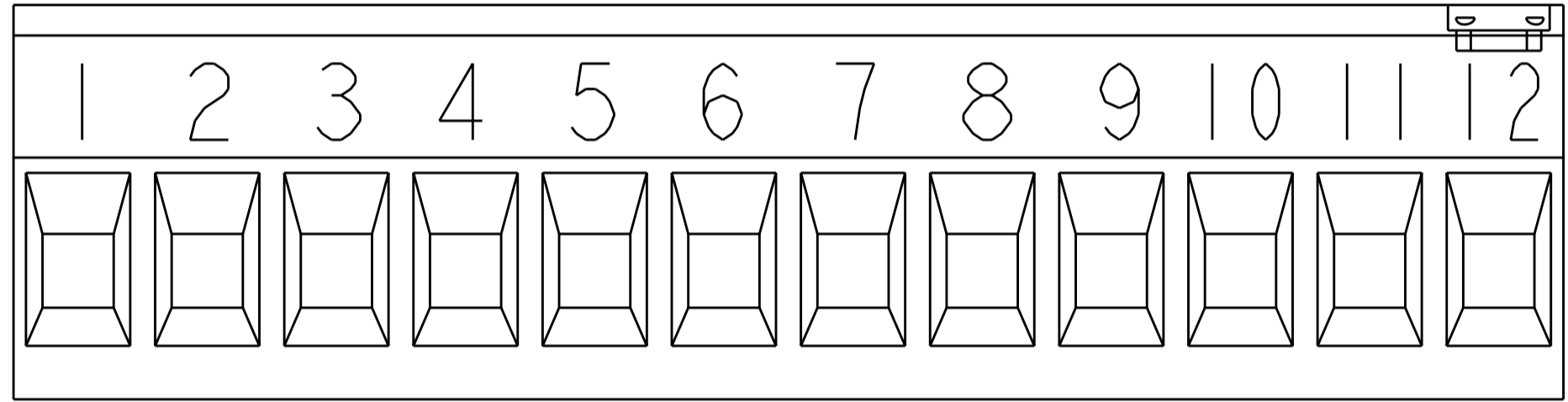
DETAIL H



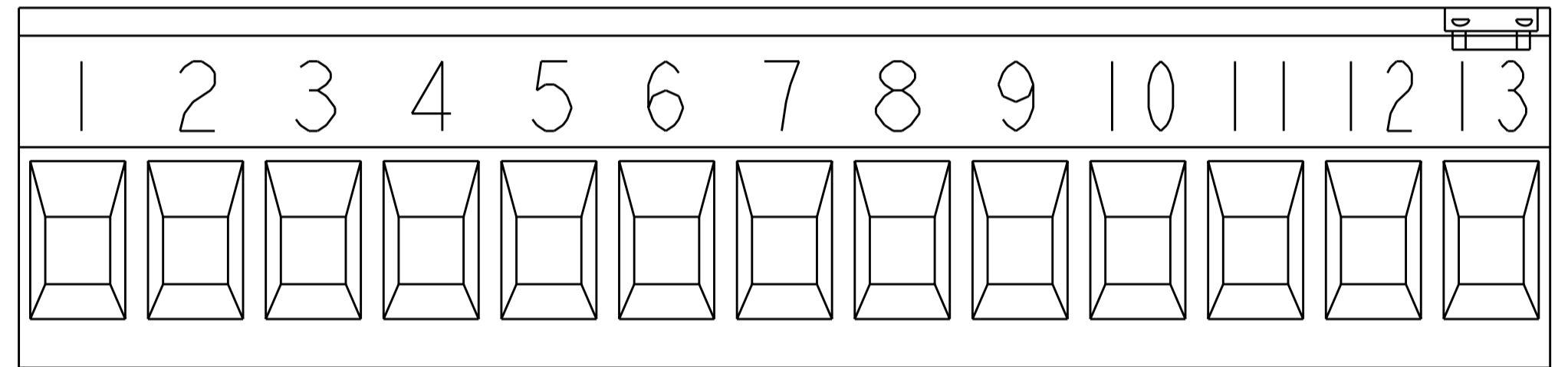
DETAIL J



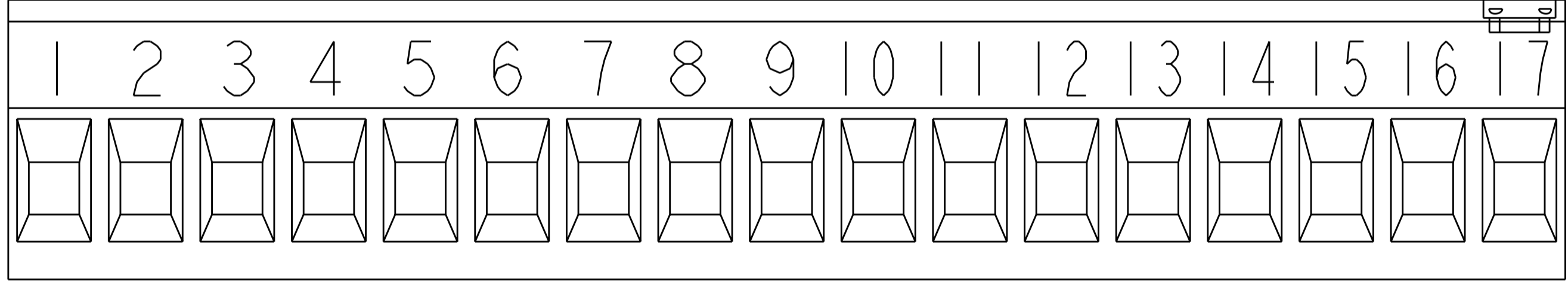
DETAIL K



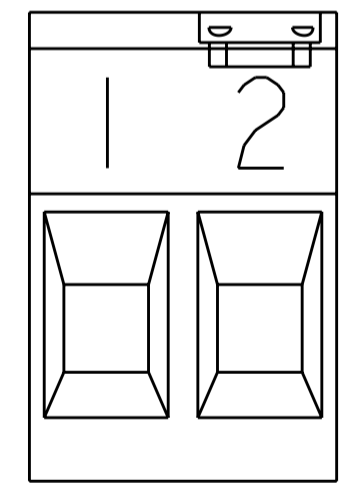
DETAIL L



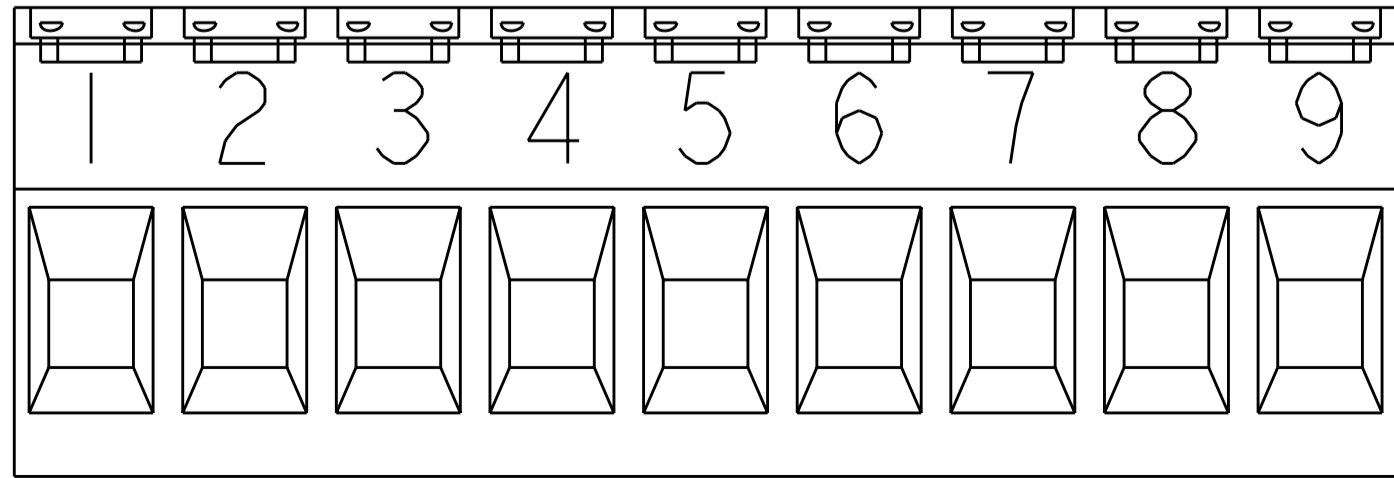
DETAIL M



DETAIL N



DETAIL P



DETAIL R

THIS DRAWING IS A CONTROLLED DOCUMENT.		DWN S. WELDON 18OCT2000	STE TE Connectivity
DIMENSIONS: mm		CHK D. BIEVENOUR 18OCT2000	
TOLERANCES UNLESS OTHERWISE SPECIFIED:		APVD D. BIEVENOUR 18OCT2000	NAME TERMINAL BLOCK, PLUG, STACKING, 5.08mm PITCH
0 PLC ±		PRODUCT SPEC	SIZE A2
1 PLC ±0.2		APPLICATION SPEC	CAGE CODE 00779
2 PLC ±0.0		WEIGHT	DRAWING NO. 796635
3 PLC ±0.000		CUSTOMER DRAWING	RESTRICTED TO
4 PLC ±0.0000		SCALE 4:1	SHEET 2 OF 2
ANGLES ±2			REV. G10
FINISH			