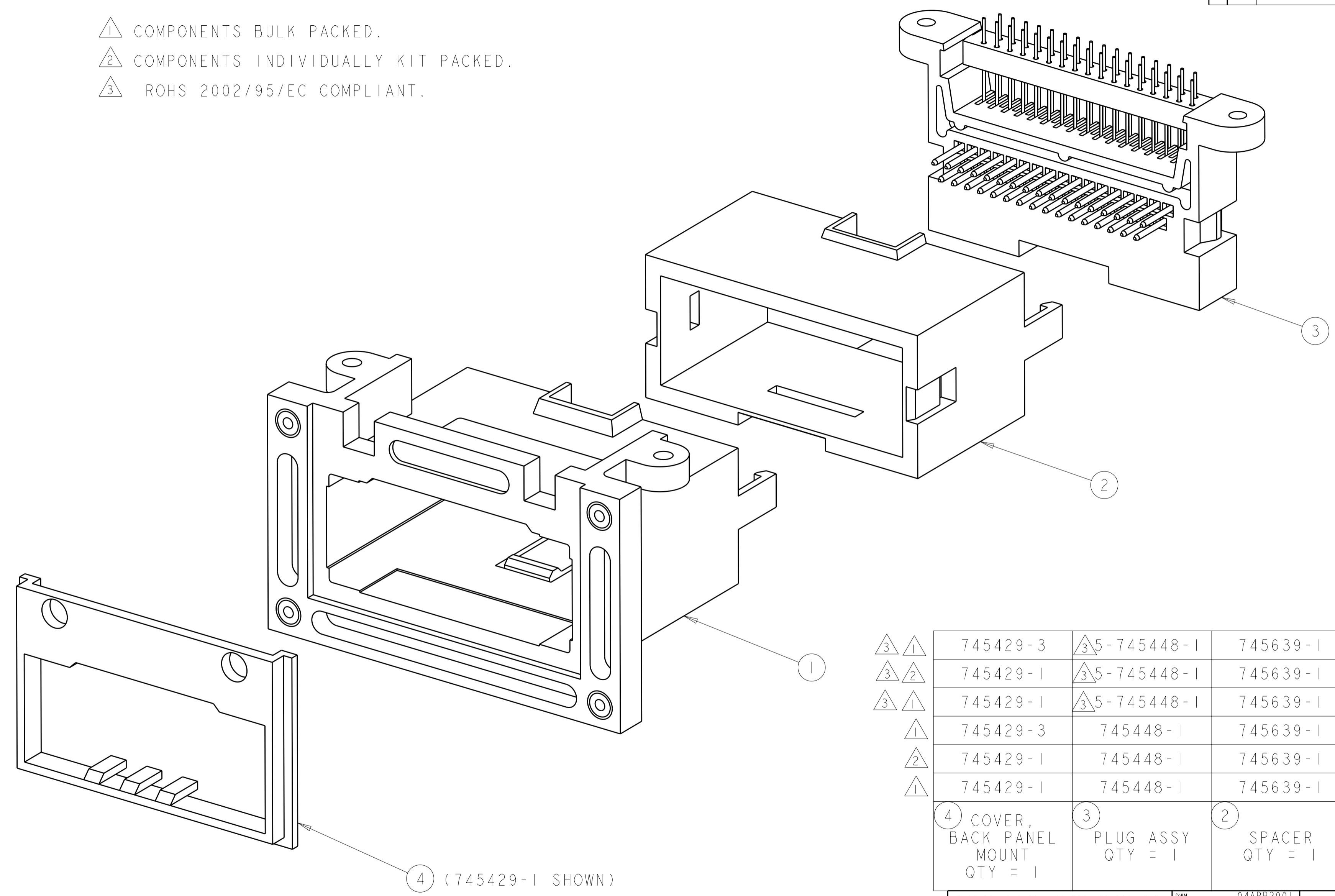


THIS DRAWING IS UNPUBLISHED. RELEASED FOR PUBLICATION 20  
 © COPYRIGHT 20 BY - ALL RIGHTS RESERVED.

LOC	DIST	REVISIONS			
P	LTR	DESCRIPTION	DATE	DWN	APVD
AD	00	D2	REVISED PER ECO-11-005027	17MAR2011	RK HMR

- ① COMPONENTS BULK PACKED.
- ② COMPONENTS INDIVIDUALLY KIT PACKED.
- ③ ROHS 2002/95/EC COMPLIANT.



③ ①	745429-3	③ 5-745448-1	745639-1	745443-1	5-745641-3
③ ②	745429-1	③ 5-745448-1	745639-1	745443-1	5-745641-2
③ ①	745429-1	③ 5-745448-1	745639-1	745443-1	5-745641-1
①	745429-3	745448-1	745639-1	745443-1	745641-3
②	745429-1	745448-1	745639-1	745443-1	745641-2
①	745429-1	745448-1	745639-1	745443-1	745641-1
④	COVER, BACK PANEL MOUNT QTY = 1	③	PLUG ASSY QTY = 1	②	SPACER QTY = 1
				①	ASSY, HOLDER BODY QTY = 1
					PART NUMBER

④ (745429-1 SHOWN)

THIS DRAWING IS A CONTROLLED DOCUMENT.

DWN R BROWN	04APR2001	TE Connectivity
CHK J OLSON	04APR2001	
APVD J OLSON	04APR2001	
DIMENSIONS: INCHES		NAME KIT, LONG HOLDER ASSY, AMPLIMITE CASSETTE CONN. SYSTEM
TOLERANCES UNLESS OTHERWISE SPECIFIED: 0 PLC ±- 1 PLC ±0.1 2 PLC ±0.02 3 PLC ±0.005 4 PLC ±0.0005 ANGLES ±- FINISH		PRODUCT SPEC - APPLICATION SPEC - WEIGHT - SCALE 2:1
MATERIAL		SIZE A200779 CAGE CODE C-745641 DRAWING NO 745641 RESTRICTED TO - SHEET 1 OF 1 REV D2

CUSTOMER DRAWING