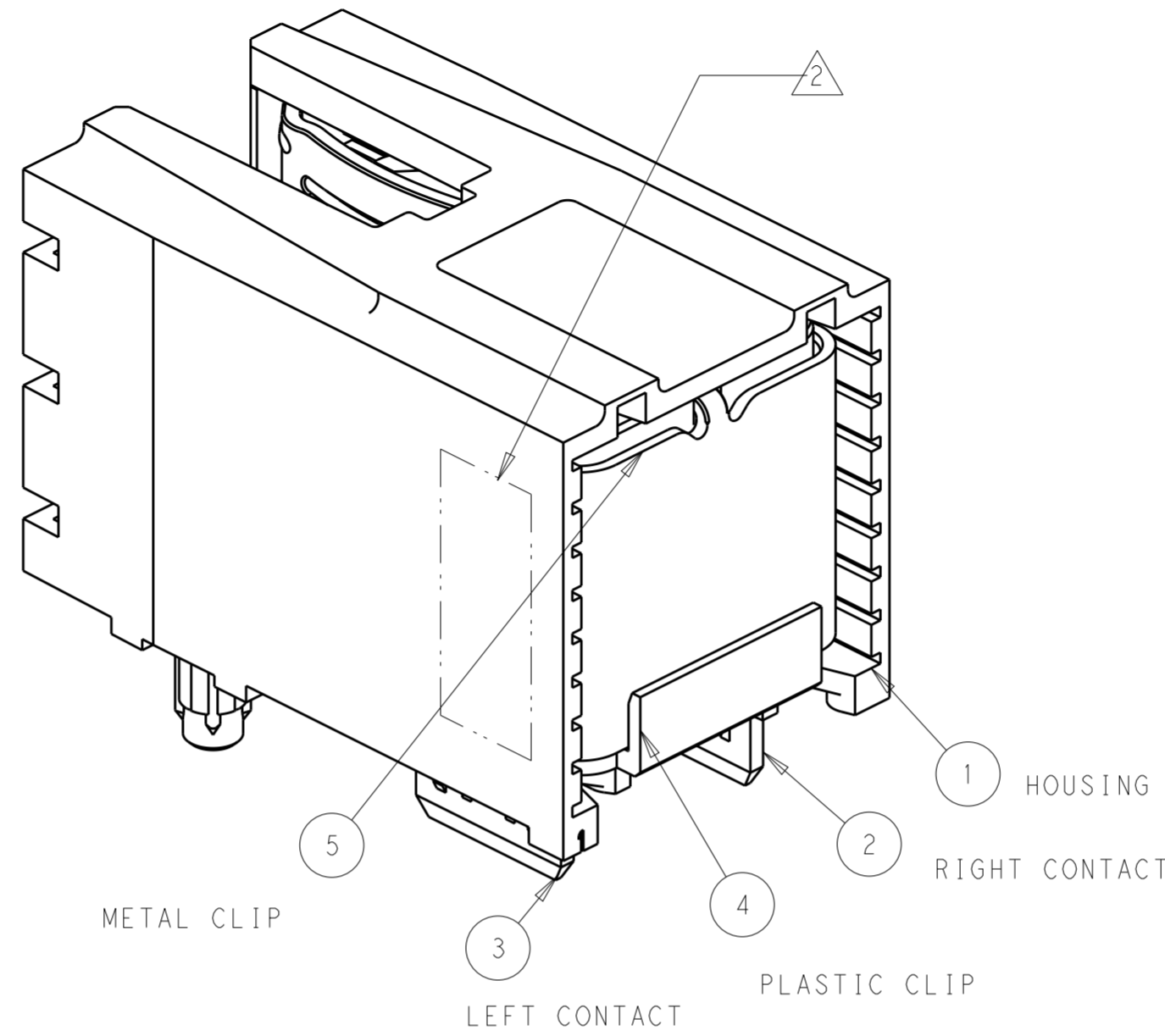
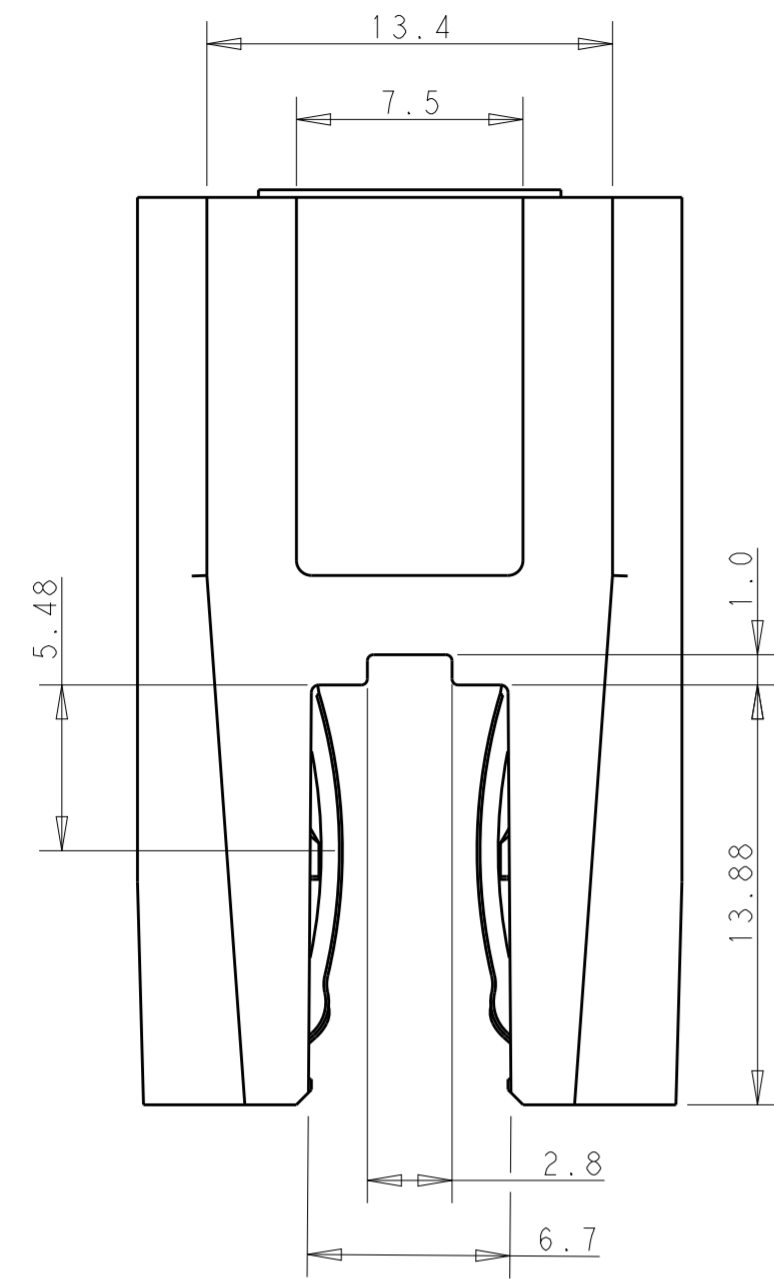


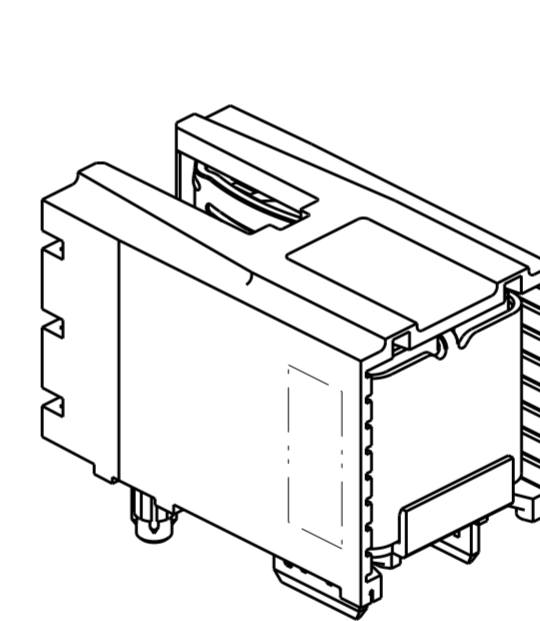
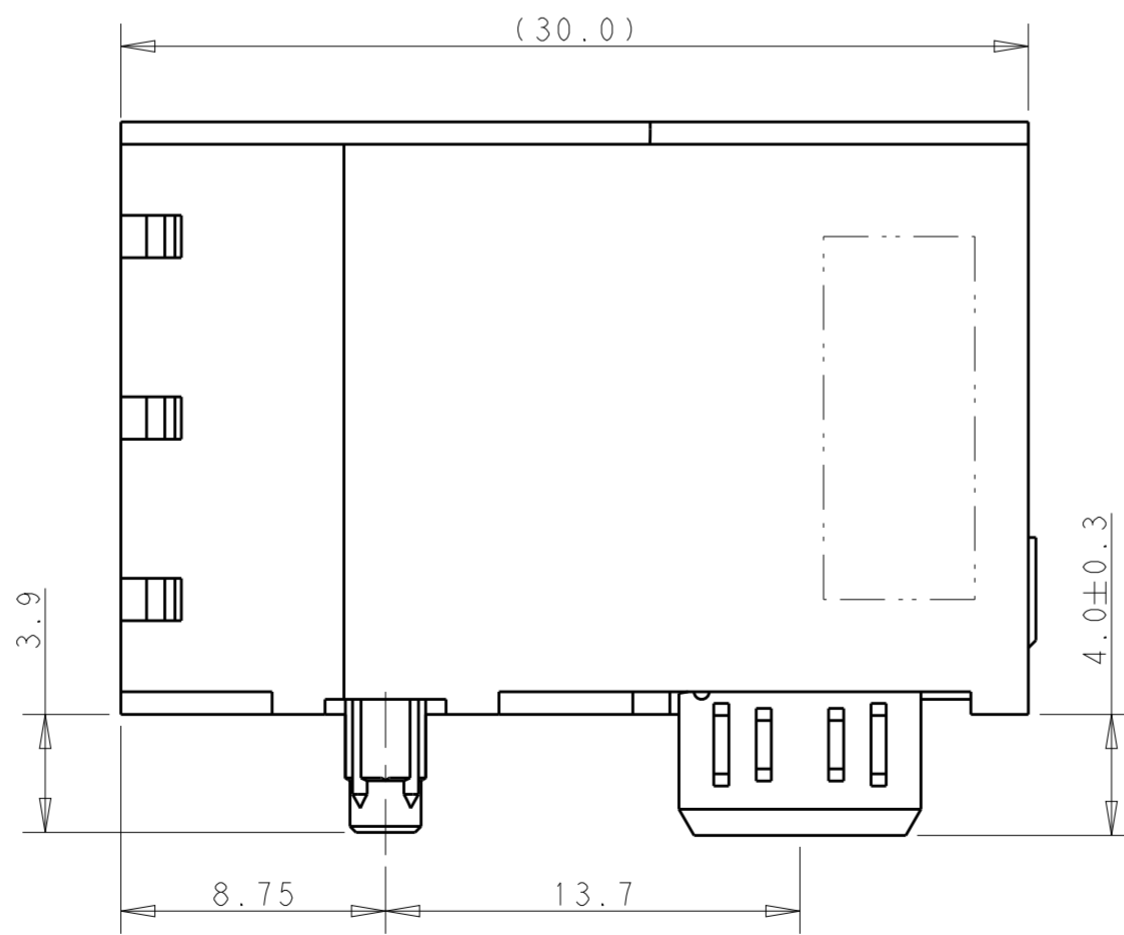
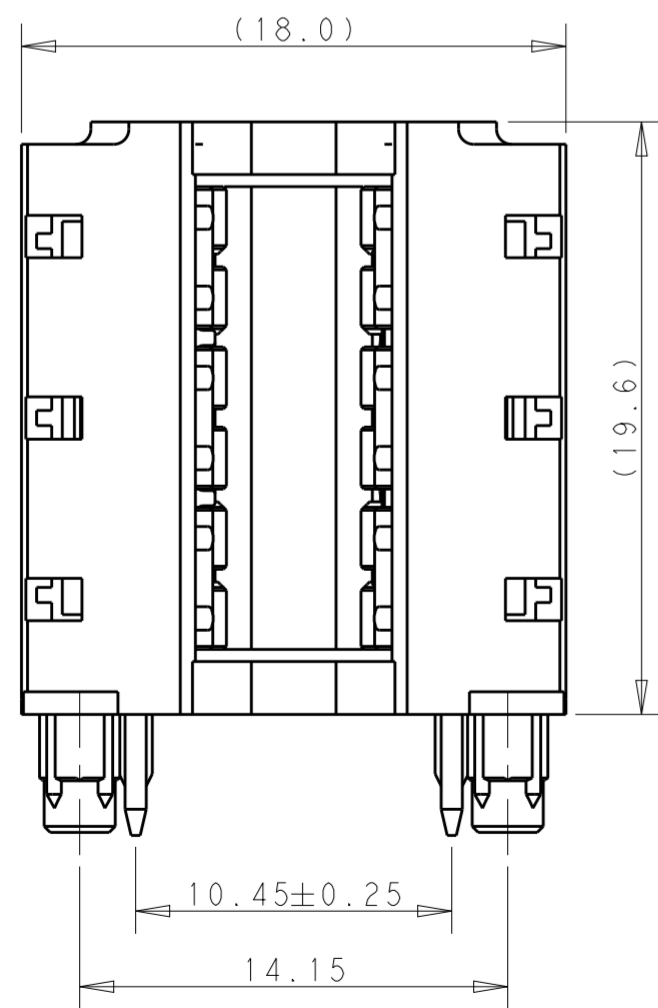
THIS DRAWING IS UNPUBLISHED. RELEASED FOR PUBLICATION 2011
 © COPYRIGHT 2011 ALL RIGHTS RESERVED.

LOC		DIST		REVISIONS			
P	LTR	DESCRIPTION	DATE	DWN	APVD		
FT	0	A	RELEASED DRAWING	18AUG2016	TZ	SZ	



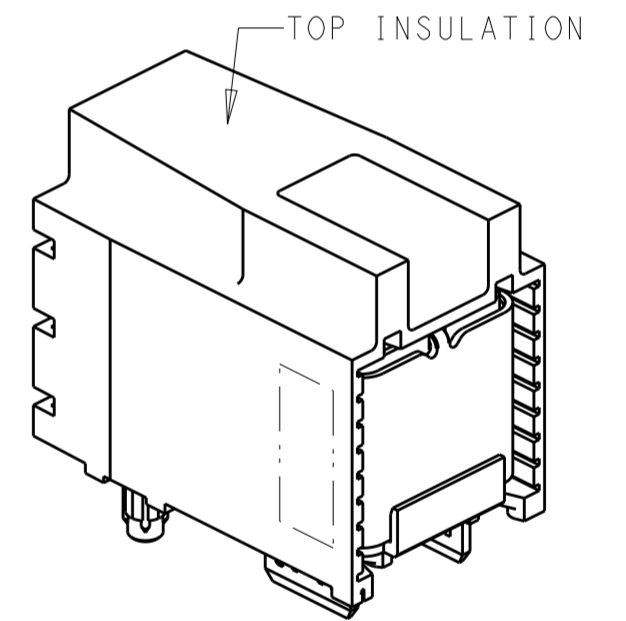
NOTES, UNLESS OTHERWISE SPECIFIED:

- MATERIAL:
HOUSING-THERMOPLASTIC GLASS PREINFORCED,
COLOR: BLACK, UL 94 V-0
CONTACT-COPPER ALLOY
- AREA FOR DATE CODE AND P/N.
- FINISH:
MATING AREA - NOBLE METAL OVERALL NICKEL
SOLDER TYPE AREA - MATTE TIN OVERALL NICKEL.
- SURFACE ROUGHNESS IN CONTACT AREA: Ra 1.6um MAX.
- PLATING NOBLE MATERIAL ON FUNCTION AREA TO MEET THE CUSTOMER REQUIREMENT.



SCALE 2:1

PRODUCT VIEW
P/N: 2204018-1



SCALE 2:1

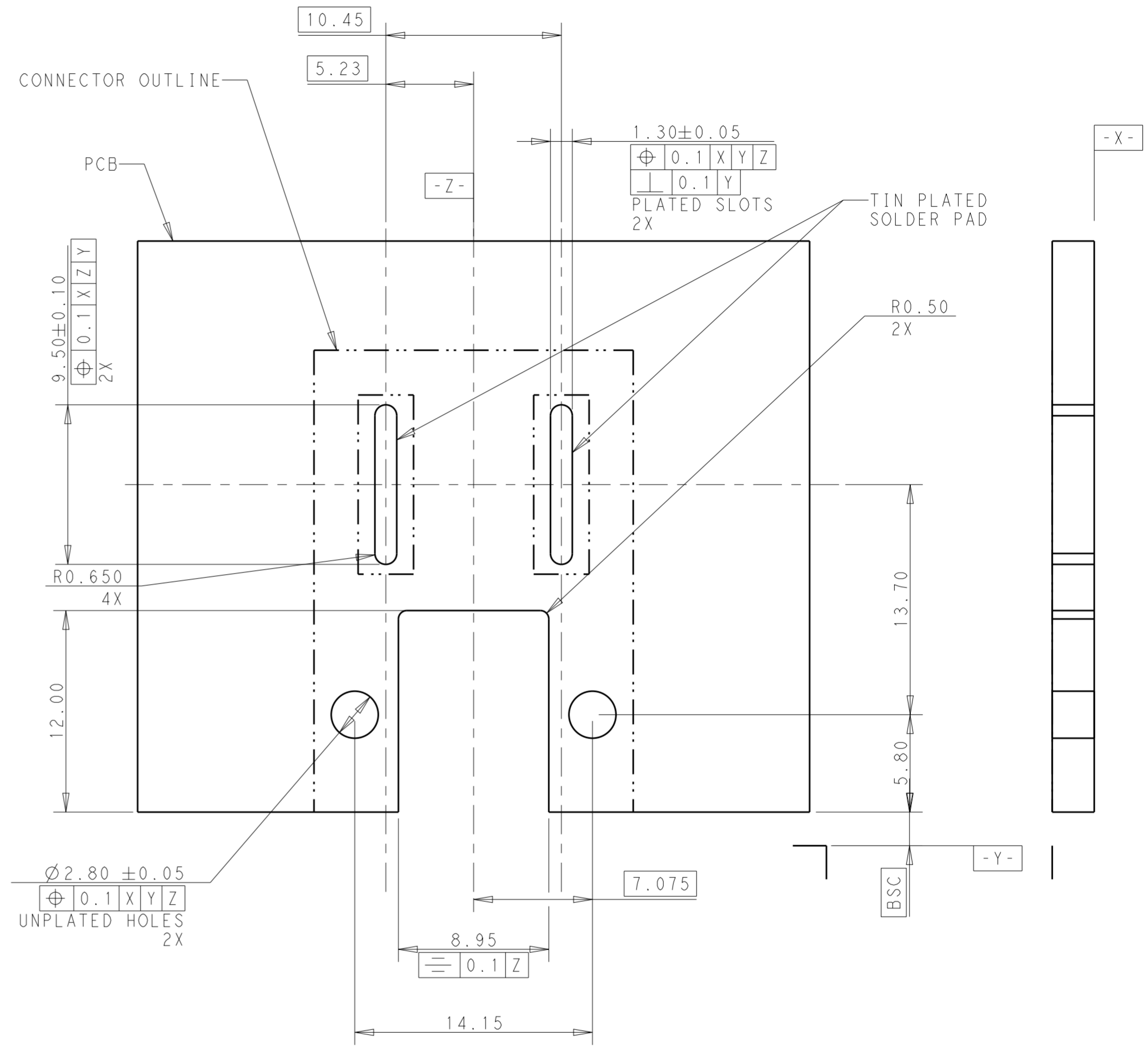
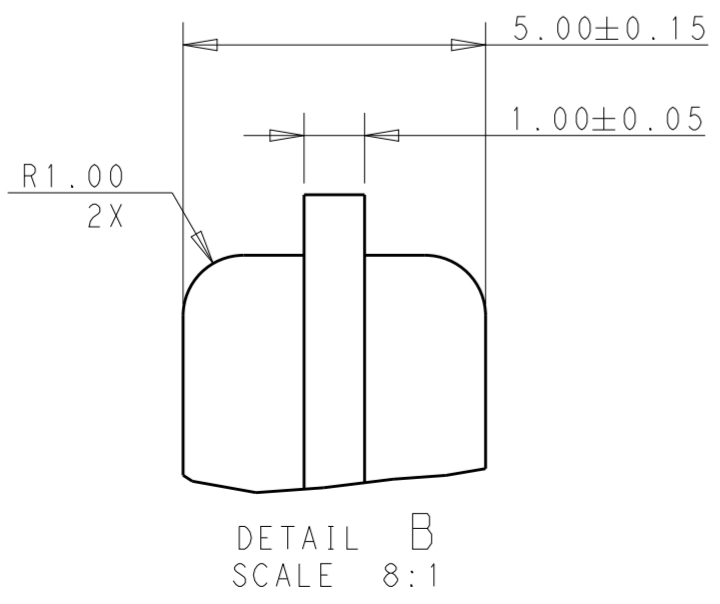
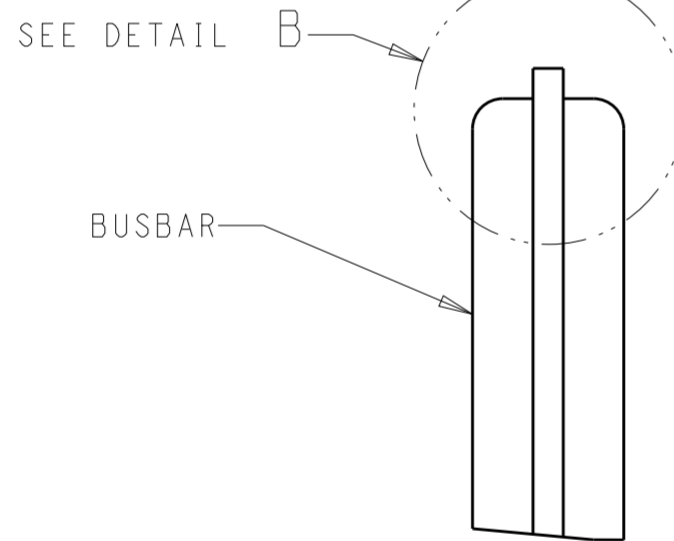
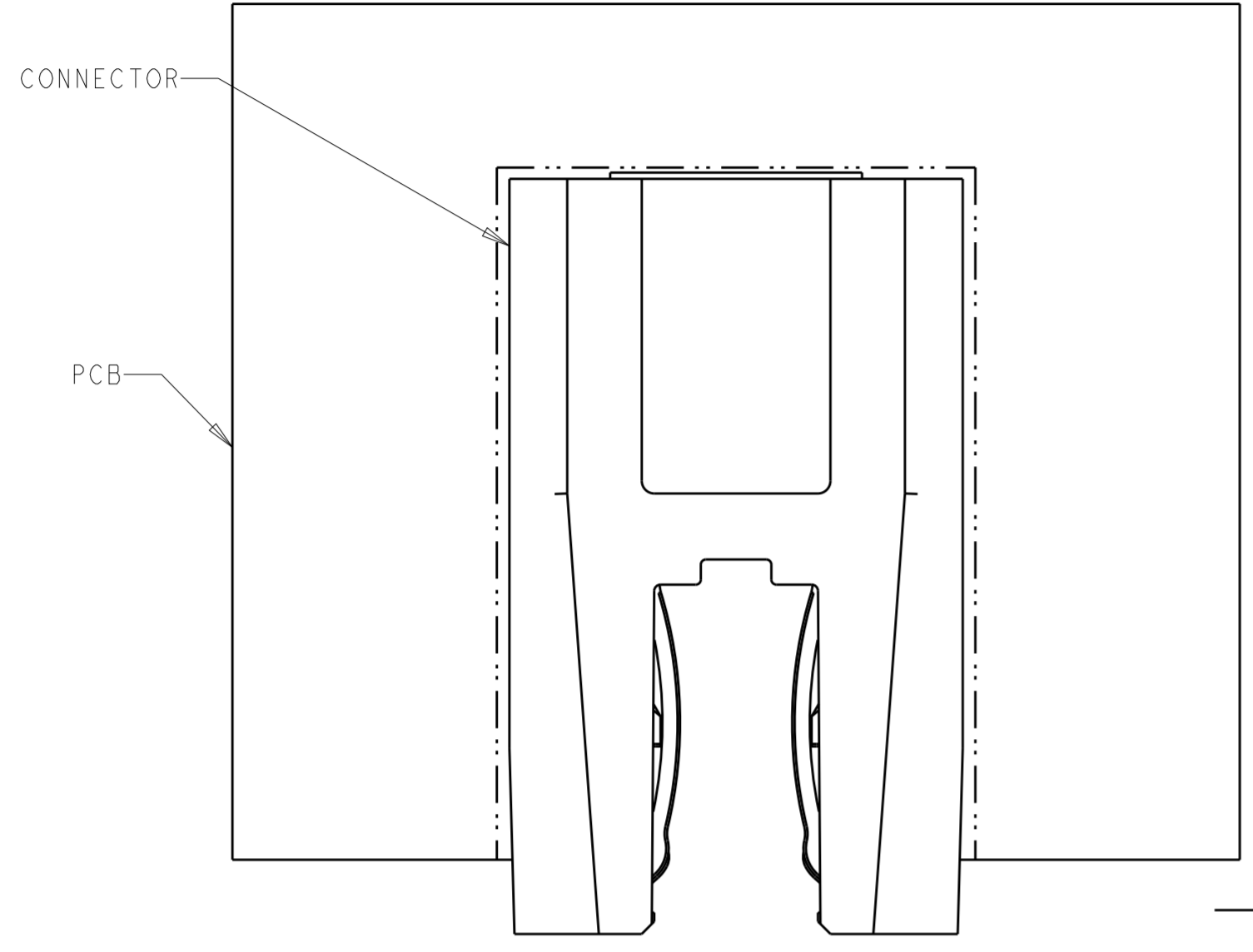
PRODUCT VIEW W/ TOP INSULATION
P/N: 2204018-2

PRELIMINARY	PRODUCT NUMBER	DESCRIPTION	ITEM
	2204018-2	DUAL CROWN CLIP JUNIOR CONN W/TOP INSULATION	2
	2204018-1	DUAL CROWN CLIP JUNIOR CONN	1

THIS DRAWING IS A CONTROLLED DOCUMENT.		DWN J. CHENG 11JAN2012	TE Connectivity															
DIMENSIONS: mm		CHK S. ZHAO 11JAN2012																
TOLERANCES UNLESS OTHERWISE SPECIFIED:		APVD S. ZHAO 11JAN2012																
<table border="1"> <tr> <td>0 PLC</td> <td>± -</td> </tr> <tr> <td>1 PLC</td> <td>±0.25</td> </tr> <tr> <td>2 PLC</td> <td>±0.15</td> </tr> <tr> <td>3 PLC</td> <td>±0.05</td> </tr> <tr> <td>4 PLC</td> <td>± -</td> </tr> <tr> <td>ANGLES</td> <td>±1°</td> </tr> <tr> <td>FINISH</td> <td></td> </tr> </table>		0 PLC	± -	1 PLC	±0.25	2 PLC	±0.15	3 PLC	±0.05	4 PLC	± -	ANGLES	±1°	FINISH		NAME S. ZHAO	PLUGGABLE BUSBAR CONNECTOR SOLDER VERSION DUAL POLE CROWN CLIP JR	
0 PLC	± -																	
1 PLC	±0.25																	
2 PLC	±0.15																	
3 PLC	±0.05																	
4 PLC	± -																	
ANGLES	±1°																	
FINISH																		
MATERIAL		PRODUCT SPEC -	SIZE A2	CAGE CODE 00779	DRAWING NO. 2204018	RESTRICTED TO -												
		APPLICATION SPEC -	SCALE 4:1		SHEET 1 OF 2	REV A												
		WEIGHT -	CUSTOMER DRAWING															

THIS DRAWING IS UNPUBLISHED. RELEASED FOR PUBLICATION 2011
 © COPYRIGHT 2011 ALL RIGHTS RESERVED.

LOC	DIST	REVISIONS					
FT	0	P	LTR	DESCRIPTION	DATE	DWN	APVD
		-		SEE SHEET 1	-	-	-



RECOMMENDED PCB LAYOUT THICKNESS: 1.6-2.5MM

THIS DRAWING IS A CONTROLLED DOCUMENT.		DWN J. CHENG 11JAN2012	 TE Connectivity
DIMENSIONS: mm		CHK S. ZHAO 11JAN2012	
TOLERANCES UNLESS OTHERWISE SPECIFIED:		APVD S. ZHAO 11JAN2012	
0 PLC ± -	1 PLC ± 0.25	2 PLC ± 0.15	NAME PLUGGABLE BUSBAR CONNECTOR SOLDER VERSION DUAL POLE CROWN CLIP JR
3 PLC ± 0.05	4 PLC ± -	ANGLES ± 1°	SIZE CAGE CODE DRAWING NO RESTRICTED TO
MATERIAL FINISH		PRODUCT SPEC -	A2100779G-2204018
		APPLICATION SPEC -	SCALE 4:1 SHEET 2 OF 2 REV A
		WEIGHT -	CUSTOMER DRAWING